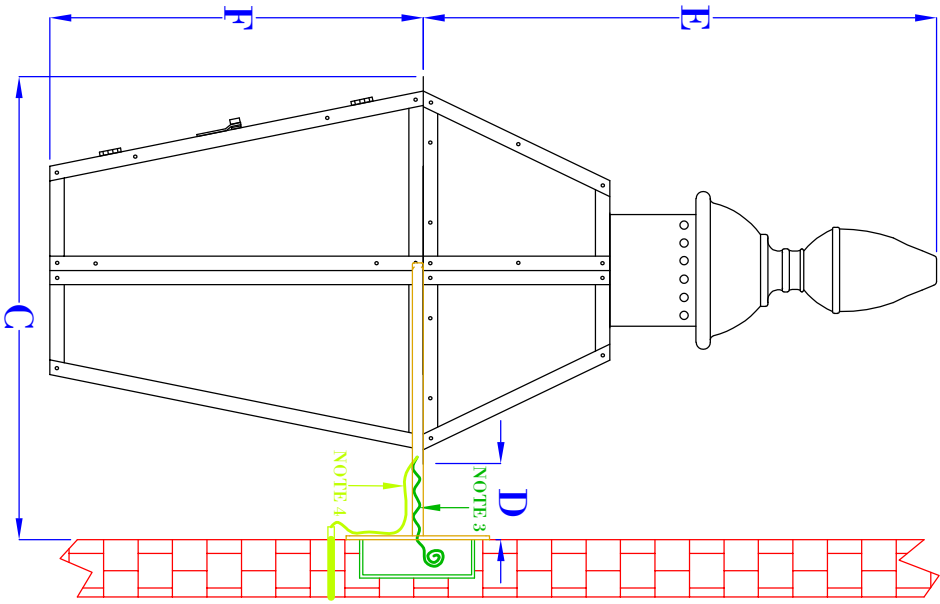
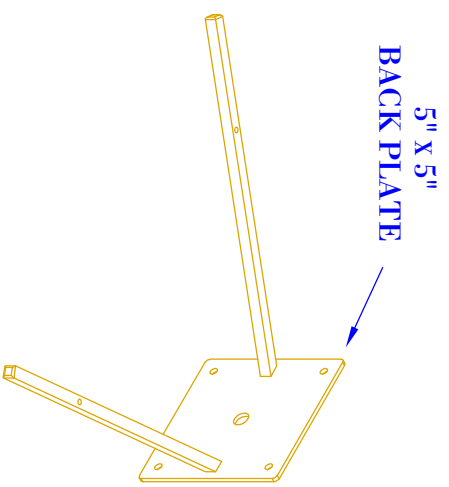


FRONT VIEW
(NTS)



SIDE VIEW
(NTS)



ISOMETRIC VIEW
(NTS-BRACKET ONLY)

- NOTES:
1. MOUNTING HARDWARE SUPPLIED BY OTHERS
 2. FIXTURES ARE HANDCRAFTED. DIMENSIONS MAY VARY PLUS OR MINUS $\frac{1}{4}$ "
 3. ELECTRIC LIGHTS SUPPLIED WITH 18/2 WIRE WITH GROUND
 4. GAS LIGHTS SUPPLIED WITH $\frac{3}{16}$ " COPPER GAS LINE AND $\frac{3}{16}$ " x $\frac{1}{4}$ " GAS LINE ADAPTOR

BEVOLO GAS & ELECTRIC LIGHTS

LIGHT: SIX SIDED W/ LONDON TOP

BRACKET: ORIGINAL BRACKET

SIZE:	25" 1 9" SS	30" 2 2" SS	33" 2 5" SS	35" 2 7" SS
A:	25 $\frac{5}{8}$ "	29 $\frac{3}{8}$ "	30 $\frac{7}{8}$ "	32 $\frac{1}{2}$ "
B:	13 $\frac{5}{8}$ "	14 $\frac{5}{8}$ "	15 $\frac{3}{4}$ "	17 $\frac{7}{8}$ "
C:	13 $\frac{1}{2}$ "	14 $\frac{3}{4}$ "	16 $\frac{3}{8}$ "	17 $\frac{7}{8}$ "
D:	1 $\frac{7}{8}$ "	2 $\frac{1}{4}$ "	2 $\frac{3}{4}$ "	3 $\frac{1}{2}$ "
E:	13 $\frac{7}{8}$ "	17"	17 $\frac{7}{8}$ "	18 $\frac{3}{8}$ "
F:	11 $\frac{3}{4}$ "	12 $\frac{3}{8}$ "	13"	14 $\frac{1}{8}$ "

DATE: 5-14-25

APP. BY: JJC

REVISION: 3

DRW BY: JJC

COPYRIGHT 2025, BEVOLO GAS & ELECTRIC LIGHTS. THIS DRAWING AND ANY DESIGN OR DATA CONTAINED THEREIN ARE CONSIDERED PROPERTY OF BEVOLO GAS AND ELECTRIC LIGHTS. NEITHER THE DRAWING NOR ITS CONTENTS MAY BE COPIED, REPRODUCED, OR EDITED TO A LIKENESS WITHOUT THE WRITTEN CONSENT OF BEVOLO GAS AND ELECTRIC LIGHTS.