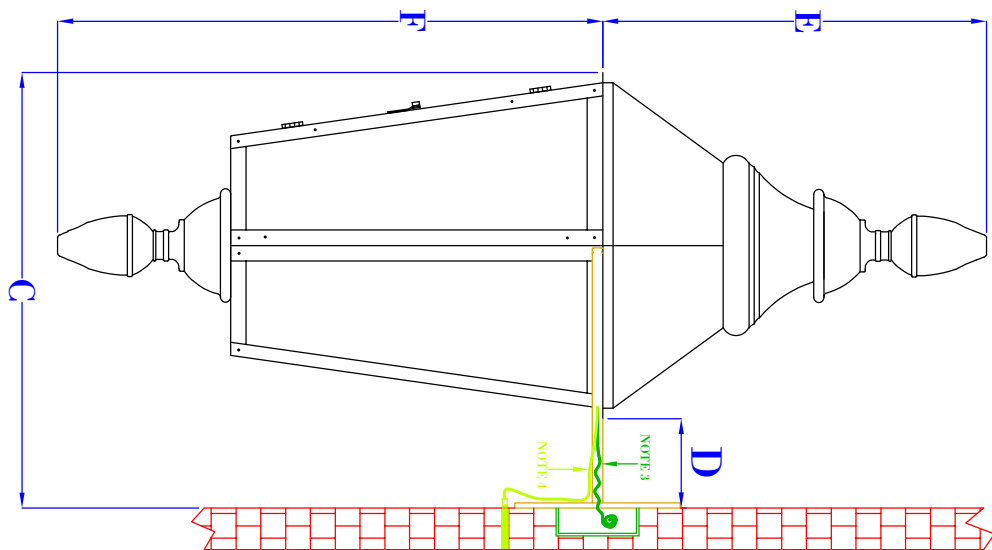
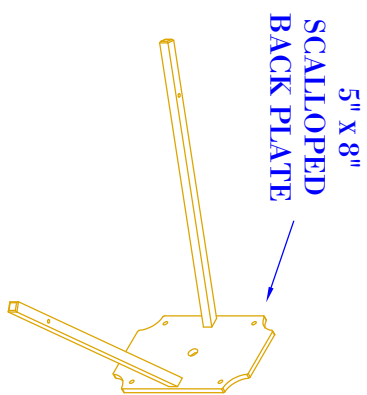


FRONT VIEW
(NTS)



SIDE VIEW
(NTS)



ISOMETRIC VIEW
(NTS-BRACKET ONLY)

- NOTES:
1. MOUNTING HARDWARE SUPPLIED BY OTHERS
 2. FIXTURES ARE HANDCRAFTED. DIMENSIONS MAY VARY PLUS OR MINUS $\frac{1}{4}$ "
 3. ELECTRIC LIGHTS SUPPLIED WITH 18/2 WIRE WITH GROUND

BEVOLO GAS & ELECTRIC LIGHTS

LIGHT:	SIX SIDED LONDON STREET W/ LONDON BOTTOM	DATE:	3-31-26
BRACKET:	ORIGINAL BRACKET	REVISION:	4

DRW BY: JJG

APP. BY: JJG

DATE: 3-31-26

REVISION: 4

SIZE:	37"	45"
	29" SLS	36" SLS
A:	37"	45 $\frac{1}{4}$ "
B:	15 $\frac{3}{4}$ "	20 $\frac{1}{4}$ "
C:	15 $\frac{3}{4}$ "	21 $\frac{3}{4}$ "
D:	3"	4 $\frac{1}{4}$ "
E:	15 $\frac{1}{4}$ "	18 $\frac{1}{2}$ "
F:	21 $\frac{3}{4}$ "	26 $\frac{3}{4}$ "

COPYRIGHT 2026, BEVOLO GAS & ELECTRIC LIGHTS. THIS DRAWING AND ANY DESIGN OR DATA CONTAINED THEREIN ARE CONSIDERED PROPERTY OF BEVOLO GAS AND ELECTRIC LIGHTS. NEITHER THE DRAWING NOR ITS CONTENT MAY BE COPIED, REPRODUCED, OR EDITED TO A LIKENESS WITHOUT THE WRITTEN CONSENT OF BEVOLO GAS AND ELECTRIC LIGHTS.