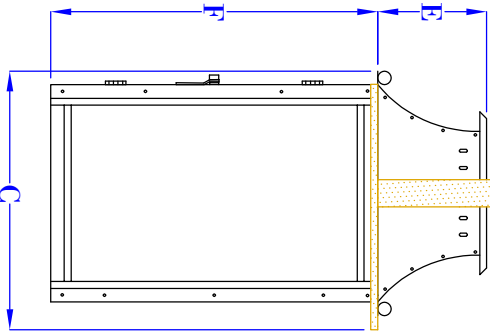
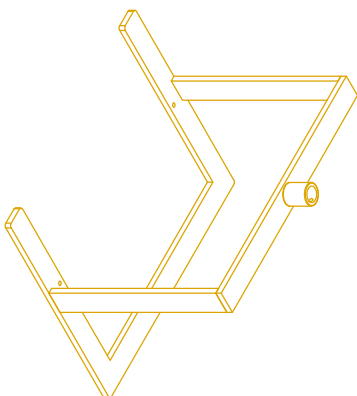


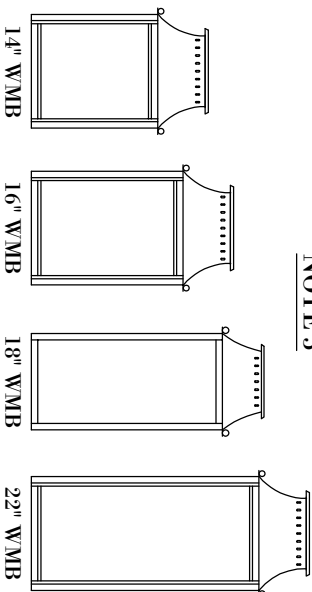
FRONT VIEW
(16" VERSION SHOWN)



SIDE VIEW
(16" VERSION SHOWN)



ISOMETRIC VIEW
(NTS - BRACKET ONLY)



NOTE 5

NOTES:

1. MOUNTING HARDWARE SUPPLIED BY OTHERS
2. FIXTURES ARE HANDCRAFTED. DIMENSIONS MAY VARY PLUS OR MINUS $\frac{1}{4}$ "
3. ELECTRIC LIGHTS SUPPLIED WITH 18/2 WIRE WITH GROUND
4. GAS LIGHTS SUPPLIED WITH $\frac{3}{16}$ " COPPER GAS LINE AND $\frac{3}{16}$ " x $\frac{1}{4}$ " GAS LINE ADAPTOR
5. PROPORTIONS FOR EACH SIZE CHANGE. 16" IS REPRESENTED ABOVE, THUMBNAILS TO THE RIGHT SHOW ALL FOR COMPARISON.

BEVOLO GAS & ELECTRIC LIGHTS

LIGHT:

WILLIAMSBURG

BRACKET:

SQUARE YOKE

SIZE:	14"	16"	18"	22"
A:	17 $\frac{3}{4}$ "	19 $\frac{3}{4}$ "	21 $\frac{1}{4}$ "	25 $\frac{3}{4}$ "
B:	11 $\frac{1}{4}$ "	11 $\frac{1}{4}$ "	9 $\frac{3}{4}$ "	11 $\frac{1}{4}$ "
C:	9 $\frac{1}{2}$ "	9 $\frac{1}{2}$ "	8"	9 $\frac{1}{2}$ "
D:	VARIES VARIES VARIES VARIES			
E:	4"	4"	3 $\frac{1}{4}$ "	4"
F:	10 $\frac{1}{8}$ "	12 $\frac{1}{8}$ "	14 $\frac{7}{8}$ "	18 $\frac{1}{8}$ "

DRW BY:	JJG
DATE:	3-10-25
APP. BY:	JJG
REVISION:	5

COPYRIGHT 2024, BEVOLO GAS & ELECTRIC LIGHTS. THIS DRAWING AND ANY DESIGN OR DATA CONTAINED THEREIN ARE CONSIDERED PROPERTY OF BEVOLO GAS AND ELECTRIC LIGHTS. NEITHER THE DRAWING NOR ITS CONTENT MAY BE COPIED, REPRODUCED, OR EDITED TO A LIKENESS WITHOUT THE WRITTEN CONSENT OF BEVOLO GAS AND ELECTRIC LIGHTS.