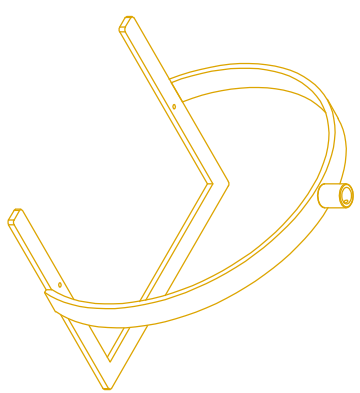
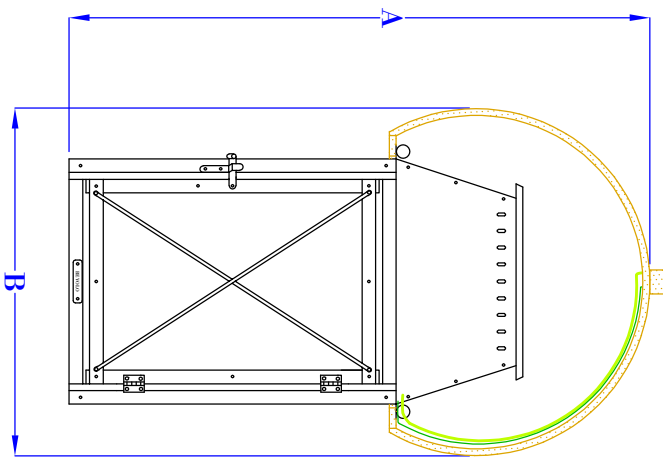


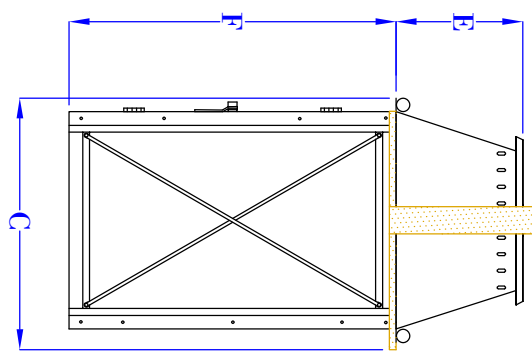
5" X 5" X 1"
BOX PLATE



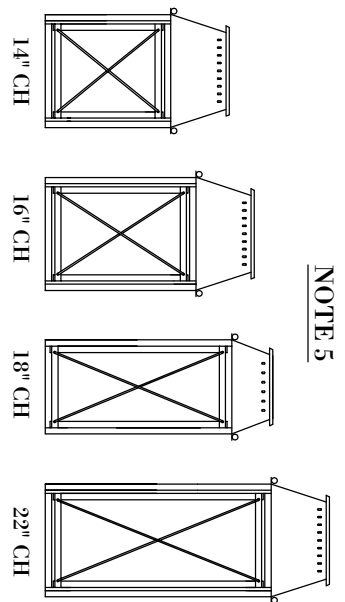
ISOMETRIC VIEW
(NTS - BRACKET ONLY)



FRONT VIEW
(16" VERSION SHOWN)



SIDE VIEW
(16" VERSION SHOWN)



NOTE 5

- NOTES:
1. MOUNTING HARDWARE SUPPLIED BY OTHERS
 2. FIXTURES ARE HANDCRAFTED. DIMENSIONS MAY VARY PLUS OR MINUS $\frac{1}{4}$ "
 3. ELECTRIC LIGHTS SUPPLIED WITH 18/2 WIRE WITH GROUND
 4. GAS LIGHTS SUPPLIED WITH $\frac{3}{16}$ " COPPER GAS LINE AND $\frac{3}{16}$ " X $\frac{1}{4}$ " GAS LINE ADAPTOR
 5. PROPORTIONS FOR EACH SIZE CHANGE. 16" IS REPRESENTED ABOVE, THUMBNAILS TO THE RIGHT SHOW ALL FOR COMPARISON.

BEVOLO GAS & ELECTRIC LIGHTS

LIGHT: COACH HOUSE

BRACKET: ROUND YOKE

SIZE:	14"	16"	18"	22"
A:	19 $\frac{1}{4}$ "	21 $\frac{1}{4}$ "	24 $\frac{3}{8}$ "	27 $\frac{1}{4}$ "
B:	12 $\frac{5}{8}$ "	12 $\frac{5}{8}$ "	11 $\frac{1}{8}$ "	12 $\frac{5}{8}$ "
C:	9 $\frac{3}{8}$ "	9 $\frac{3}{8}$ "	7 $\frac{3}{4}$ "	9 $\frac{3}{8}$ "
D:	VARIES VARIES VARIES VARIES			
E:	4 $\frac{5}{8}$ "	4 $\frac{5}{8}$ "	3 $\frac{1}{4}$ "	4 $\frac{5}{8}$ "
F:	10 $\frac{1}{8}$ "	12 $\frac{1}{8}$ "	14 $\frac{7}{8}$ "	18 $\frac{1}{8}$ "

DATE:	DRW BY:	APP. BY:	REVISION:
3-10-25	JJG	JJG	3

COPYRIGHT 2024, BEVOLO GAS & ELECTRIC LIGHTS. THIS DRAWING AND ANY DESIGN OR DATA CONTAINED THEREIN ARE CONSIDERED PROPERTY OF BEVOLO GAS AND ELECTRIC LIGHTS. NEITHER THE DRAWING NOR ITS CONTENTS MAY BE COPIED, REPRODUCED, OR EDITED TO A LIKENESS WITHOUT THE WRITTEN CONSENT OF BEVOLO GAS AND ELECTRIC LIGHTS.