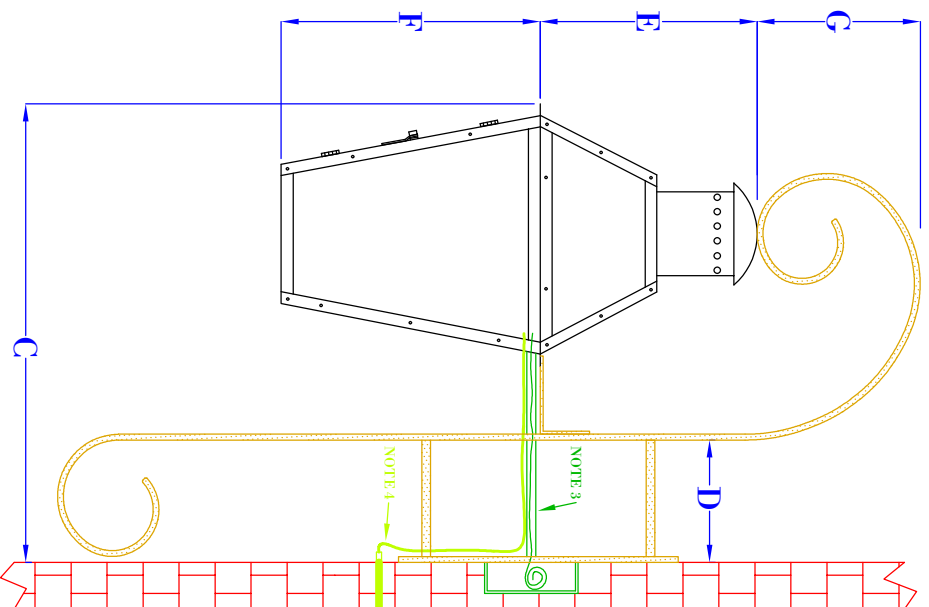
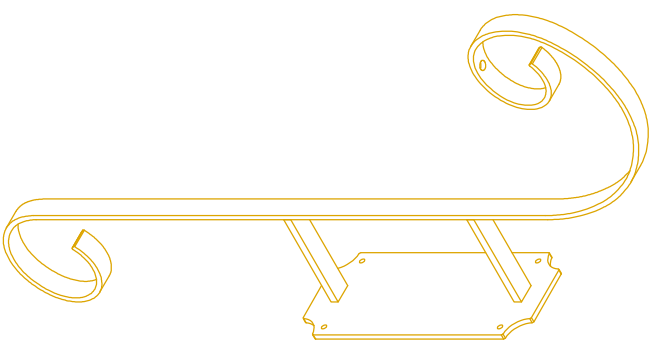


FRONT VIEW
(NTS)



SIDE VIEW
(NTS)



**SCALLOPED
BACK PLATE**
5"X12" (14"-27")
5"X16" (30"-36")

ISOMETRIC VIEW
(NTS-BRACKET ONLY)

- NOTES:
1. MOUNTING HARDWARE SUPPLIED BY OTHERS
 2. FIXTURES ARE HANDCRAFTED. DIMENSIONS MAY VARY PLUS OR MINUS $\frac{1}{4}$ "
 3. ELECTRIC LIGHTS SUPPLIED WITH 18/2 WIRE WITH GROUND
 4. GAS LIGHTS SUPPLIED WITH $\frac{3}{16}$ " COPPER GAS LINE AND $\frac{3}{16}$ " x $\frac{1}{4}$ " GAS LINE ADAPTOR

BEVOLO GAS & ELECTRIC LIGHTS

LIGHT: FRENCH QUARTER

BRACKET: RODIN BRACKET

SIZE:	14"	18"	21"	24"	27"	30"	36"
A:	24"	37"	37"	45"	45"	49"	56 $\frac{5}{8}$ "
B:	9 $\frac{1}{4}$ "	10 $\frac{1}{2}$ "	11 $\frac{1}{2}$ "	13 $\frac{1}{4}$ "	14 $\frac{1}{2}$ "	17 $\frac{1}{2}$ "	21 $\frac{1}{2}$ "
C:	17 $\frac{7}{8}$ "	19"	19 $\frac{1}{2}$ "	21 $\frac{7}{8}$ "	22 $\frac{1}{2}$ "	25 $\frac{7}{8}$ "	30 $\frac{1}{4}$ "
D:	5 $\frac{1}{4}$ "	5 $\frac{1}{4}$ "	5 $\frac{1}{4}$ "	5 $\frac{1}{4}$ "	5 $\frac{1}{4}$ "	6 $\frac{1}{8}$ "	6 $\frac{1}{8}$ "
E:	6 $\frac{1}{4}$ "	7 $\frac{5}{8}$ "	9 $\frac{3}{8}$ "	12 $\frac{3}{8}$ "	11 $\frac{7}{8}$ "	14 $\frac{1}{2}$ "	17 $\frac{3}{8}$ "
F:	8"	10 $\frac{1}{8}$ "	11 $\frac{1}{8}$ "	12 $\frac{7}{8}$ "	14 $\frac{3}{8}$ "	16 $\frac{1}{8}$ "	19 $\frac{5}{8}$ "
G:	7"	7"	7"	8"	8"	10 $\frac{1}{4}$ "	11 $\frac{7}{8}$ "

DATE: 7-17-20
 APP. BY: JJC
 REVISION: 6

DRW BY: JJC
 COPYRIGHT 2020, BEVOLO GAS & ELECTRIC LIGHTS. DRAWINGS & DESIGNS ARE OWNED BY BEVOLO AND REMAIN THE SOLE AND EXCLUSIVE PROPERTY OF BEVOLO GAS & ELECTRIC LIGHTS. DRAWINGS AND DESIGNS SHALL NOT BE DUPLICATED IN WHOLE OR PART.