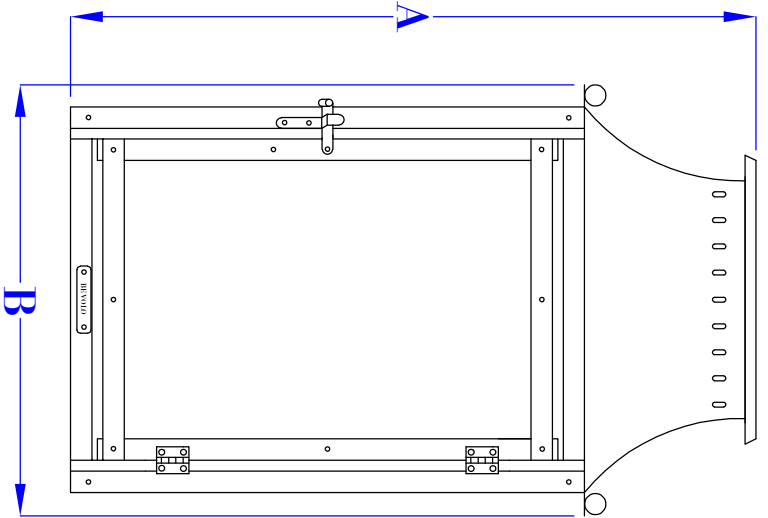
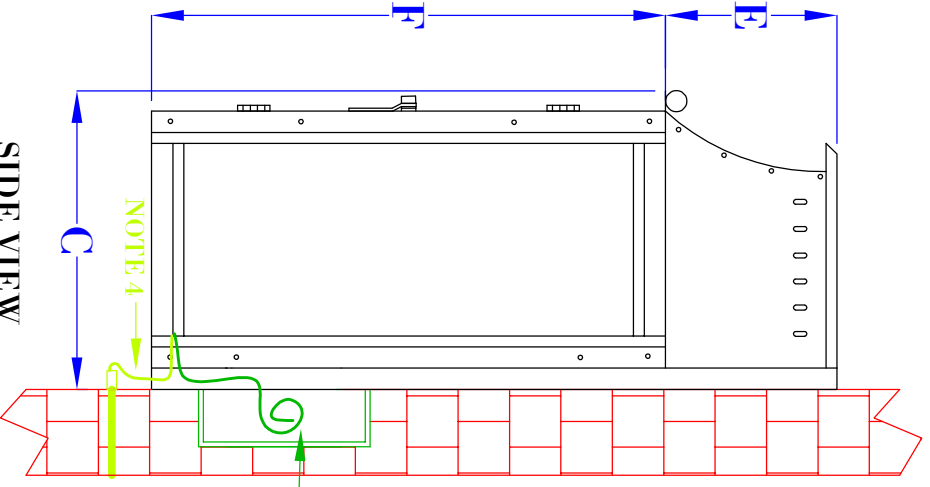


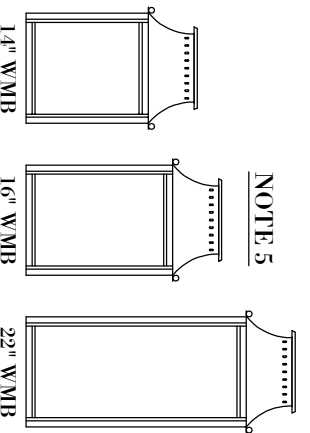
**FLUSH MOUNTED  
GAS FIXTURES  
CANNOT BE MOUNTED TO  
ANY COMBUSTIBLE  
MATERIALS INCLUDING  
WOOD, VINYL, PVC  
OR COMPOSITES**



**FRONT VIEW**  
(16" VERSION SHOWN)



**SIDE VIEW**  
(16" VERSION SHOWN)



NOTE 5

- NOTES:**
1. MOUNTING HARDWARE SUPPLIED BY OTHERS
  2. FIXTURES ARE HANDCRAFTED. DIMENSIONS MAY VARY PLUS OR MINUS  $\frac{1}{4}$ "
  3. ELECTRIC LIGHTS SUPPLIED WITH 18/2 WIRE WITH GROUND
  4. GAS LIGHTS SUPPLIED WITH  $\frac{3}{16}$ " COPPER GAS LINE AND  $\frac{3}{16}$ " x  $\frac{1}{4}$ " GAS LINE ADAPTOR
  5. PROPORTIONS FOR EACH SIZE CHANGE. 16" IS REPRESENTED ABOVE, THUMBNAILS TO THE RIGHT SHOW ALL FOR COMPARISON.

# BEVOLO GAS & ELECTRIC LIGHTS

**LIGHT:** WILLIAMSBURG 14", 16", 22"

**BRACKET:** FLUSH MOUNT

| SIZE: | 14"                | 16"                | 22"                |
|-------|--------------------|--------------------|--------------------|
| A:    | 14 $\frac{1}{8}$ " | 16 $\frac{1}{8}$ " | 22 $\frac{1}{8}$ " |
| B:    | 10 $\frac{1}{8}$ " | 10 $\frac{1}{8}$ " | 10 $\frac{1}{8}$ " |
| C:    | 7 $\frac{1}{4}$ "  | 7 $\frac{1}{4}$ "  | 7 $\frac{1}{4}$ "  |
| E:    | 4"                 | 4"                 | 4"                 |
| F:    | 10 $\frac{1}{8}$ " | 12 $\frac{1}{8}$ " | 18 $\frac{1}{8}$ " |

|          |         |           |     |
|----------|---------|-----------|-----|
| DATE:    | 5-17-24 | DRW BY:   | JJG |
| APP. BY: | JJG     | REVISION: | 5   |

COPYRIGHT 2024, BEVOLO GAS & ELECTRIC LIGHTS, DRAWINGS & DESIGNS ARE OWNED BY BEVOLO AND REMAIN THE SOLE AND EXCLUSIVE PROPERTY OF BEVOLO GAS & ELECTRIC LIGHTS. DRAWINGS AND DESIGNS SHALL NOT BE DUPLICATED IN WHOLE OR PART.