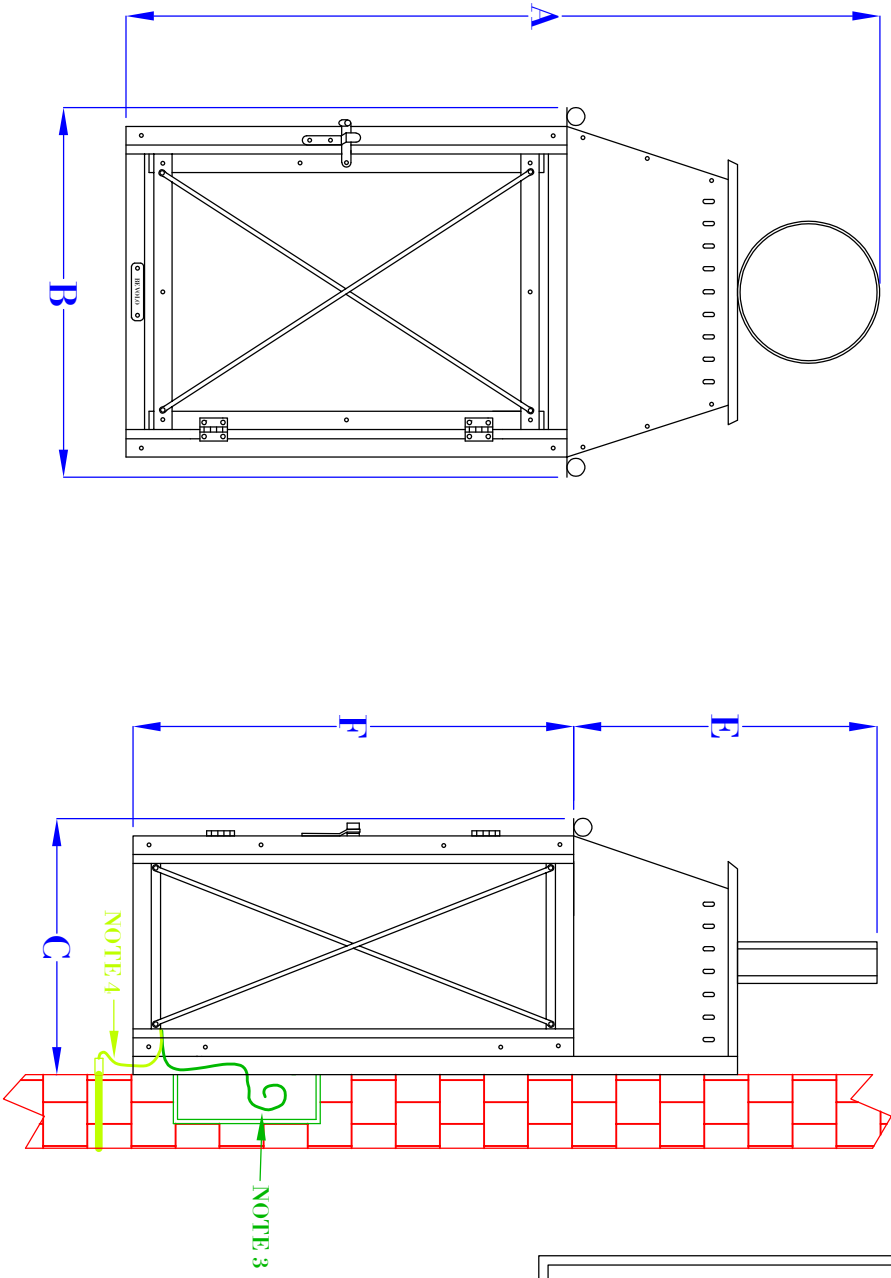


**FLUSH MOUNTED
GAS FIXTURES
CANNOT BE MOUNTED TO
ANY COMBUSTIBLE
MATERIALS INCLUDING
WOOD, VINYL, PVC
OR COMPOSITES**



FRONT VIEW
(NTS)

SIDE VIEW
(NTS)

NOTES:

1. MOUNTING HARDWARE SUPPLIED BY OTHERS
2. FIXTURES ARE HANDCRAFTED. DIMENSIONS MAY VARY PLUS OR MINUS $\frac{1}{4}$ "
3. ELECTRIC LIGHTS SUPPLIED WITH 182 WIRE WITH GROUND
4. GAS LIGHTS SUPPLIED WITH $\frac{3}{16}$ " COPPER GAS LINE AND $\frac{3}{16}$ " x $\frac{1}{4}$ " GAS LINE ADAPTOR

BEVOLO GAS & ELECTRIC LIGHTS

LIGHT:	COACH HOUSE
BRACKET:	FLUSH MOUNT

SIZE:	14"	16"	18"	22"
A:	18"	20"	21"	26"
B:	10 $\frac{1}{8}$ "	10 $\frac{1}{8}$ "	8 $\frac{3}{4}$ "	10 $\frac{1}{8}$ "
C:	7 $\frac{1}{4}$ "	7 $\frac{1}{4}$ "	6"	7 $\frac{1}{4}$ "
E:	8"	8"	6 $\frac{1}{4}$ "	8"
F:	10 $\frac{1}{8}$ "	12 $\frac{1}{8}$ "	14 $\frac{3}{4}$ "	18 $\frac{1}{8}$ "

DATE:	10-25-23	DRW BY:	JJG
APP. BY:	JJG	REVISION:	4

COPYRIGHT 2023, BEVOLO GAS & ELECTRIC LIGHTS
THIS DRAWING AND ANY DESIGN OR DATA
CONTAINED THEREIN ARE CONSIDERED PROPERTY
OF BEVOLO GAS AND ELECTRIC LIGHTS. NEITHER
THE DRAWING NOR ITS CONTENT MAY BE COPIED,
REPRODUCED, OR EDITED TO A LIKENESS
WITHOUT THE WRITTEN CONSENT OF BEVOLO GAS
AND ELECTRIC LIGHTS.