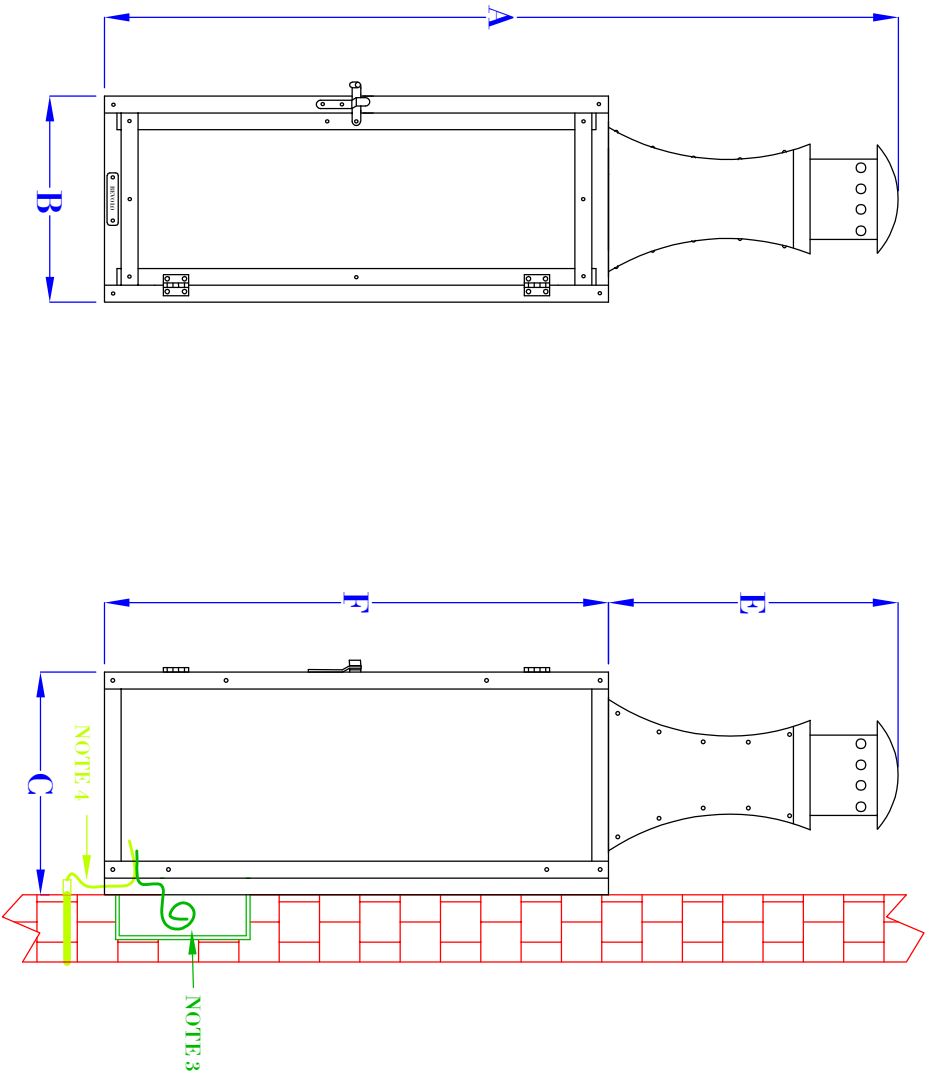


**FLUSH MOUNTED
GAS FIXTURES
CANNOT BE MOUNTED TO
ANY COMBUSTIBLE
MATERIALS INCLUDING
WOOD, VINYL, PVC
OR COMPOSITES**



FRONT VIEW
(NTS)

SIDE VIEW
(NTS)

NOTES:

1. MOUNTING HARDWARE SUPPLIED BY OTHERS
2. FIXTURES ARE HANDCRAFTED. DIMENSIONS MAY VARY PLUS OR MINUS $\frac{1}{4}$ "
3. ELECTRIC LIGHTS SUPPLIED WITH 18/2 WIRE WITH GROUND
4. GAS LIGHTS SUPPLIED WITH $\frac{3}{16}$ " COPPER GAS LINE AND $\frac{3}{16}$ " x $\frac{1}{4}$ " GAS LINE ADAPTOR

BEVOLO GAS & ELECTRIC LIGHTS

LIGHT:	GOVERNOR	DATE:	DRW BY:	JJG
BRACKET:	FLUSH MOUNT	5-17-24	APP. BY:	JJG
			REVISION:	4

SIZE:	24"	30"	36"
A:	23 $\frac{3}{8}$ "	29 $\frac{1}{2}$ "	36"
B:	6"	7 $\frac{1}{2}$ "	9"
C:	6 $\frac{1}{2}$ "	8"	9 $\frac{1}{2}$ "
E:	8 $\frac{3}{8}$ "	10 $\frac{3}{4}$ "	13 $\frac{1}{2}$ "
F:	15"	18 $\frac{3}{4}$ "	22 $\frac{1}{2}$ "

COPYRIGHT 2024, BEVOLO GAS & ELECTRIC LIGHTS. THIS DRAWING AND ANY DESIGN OR DATA CONTAINED THEREIN ARE CONSIDERED PROPERTY OF BEVOLO GAS AND ELECTRIC LIGHTS. NEITHER THE DRAWING NOR ITS CONTENT MAY BE COPIED, REPRODUCED, OR EDITED TO A LIKENESS WITHOUT THE WRITTEN CONSENT OF BEVOLO GAS AND ELECTRIC LIGHTS.