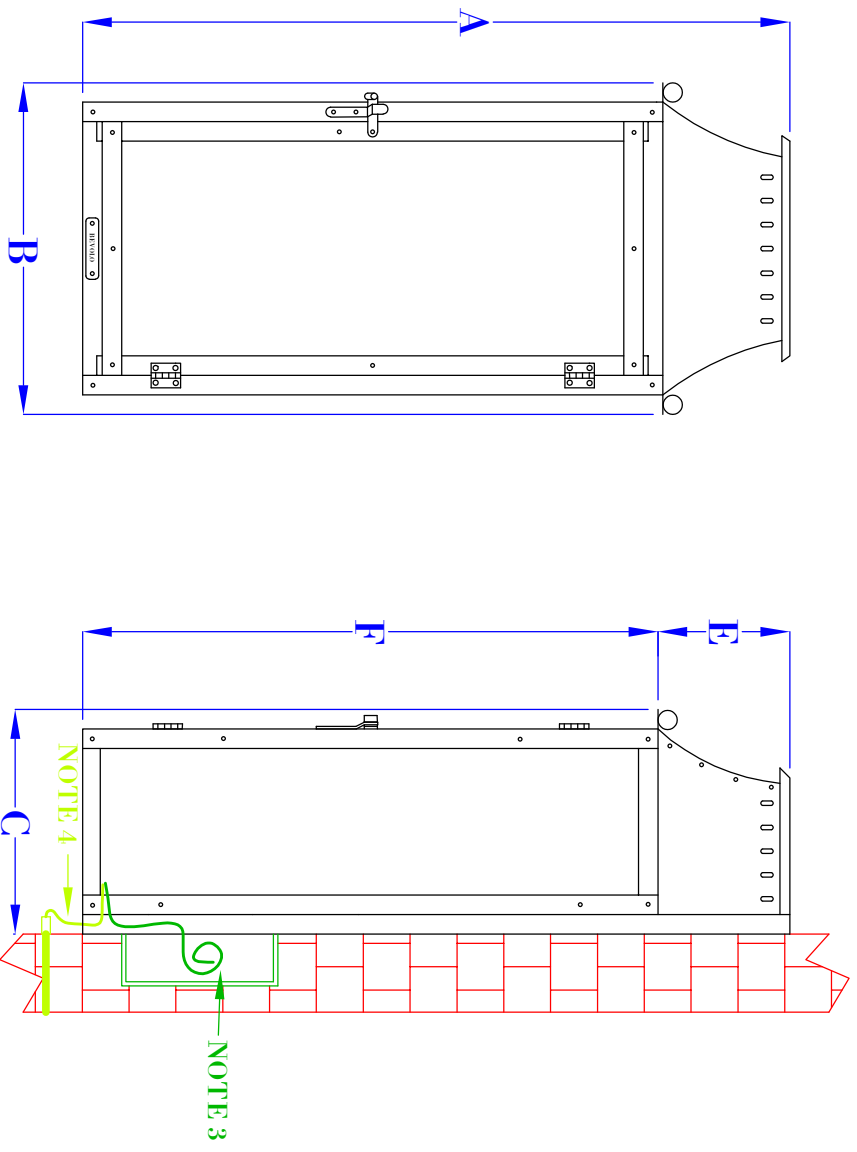


**FLUSH MOUNTED
GAS FIXTURES
CANNOT BE MOUNTED TO
ANY COMBUSTIBLE
MATERIALS INCLUDING
WOOD, VINYL, PVC
OR COMPOSITES**

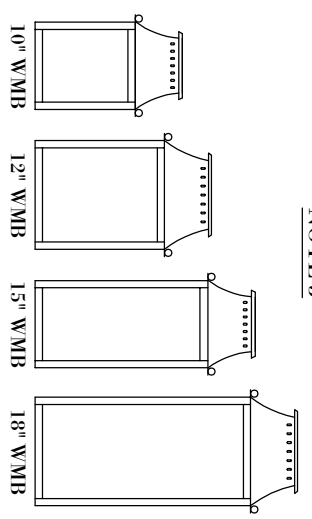


FRONT VIEW
(18" VERSION SHOWN)

SIDE VIEW
(18" VERSION SHOWN)

NOTES:

1. MOUNTING HARDWARE SUPPLIED BY OTHERS
2. FIXTURES ARE HANDCRAFTED. DIMENSIONS MAY VARY PLUS OR MINUS $\frac{1}{4}$ "
3. ELECTRIC LIGHTS SUPPLIED WITH 18/2 WIRE WITH GROUND
4. GAS LIGHTS SUPPLIED WITH $\frac{3}{16}$ " COPPER GAS LINE AND $\frac{3}{16}$ " x $\frac{1}{4}$ " GAS LINE ADAPTOR
5. PROPORTIONS FOR EACH SIZE CHANGE. 18" IS REPRESENTED ABOVE, THUMBNAILS TO
6. 10", 12" SIZES ARE NOT SOLD IN GAS



SIZE:	10"	12"	15"	18"
A:	10 $\frac{1}{8}$ "	12 $\frac{1}{8}$ "	15 $\frac{1}{8}$ "	18 $\frac{1}{8}$ "
B:	7 $\frac{1}{4}$ "	8 $\frac{3}{4}$ "	7 $\frac{1}{4}$ "	8 $\frac{3}{4}$ "
C:	5 $\frac{1}{4}$ "	6"	5 $\frac{1}{4}$ "	6"
E:	3 $\frac{1}{4}$ "	3 $\frac{1}{4}$ "	3 $\frac{1}{4}$ "	3 $\frac{1}{4}$ "
F:	6 $\frac{7}{8}$ "	8 $\frac{7}{8}$ "	11 $\frac{7}{8}$ "	14 $\frac{7}{8}$ "

BEVOLO GAS & ELECTRIC LIGHTS

LIGHT: WILLIAMSBURG 10", 12", 15", 18"

BRACKET: FLUSH MOUNT

DATE:	5-17-24
DRW BY:	JJG
APP. BY:	JJG
REVISION:	5

COPYRIGHT 2024, BEVOLO GAS & ELECTRIC LIGHTS, DRAWINGS & DESIGNS ARE OWNED BY BEVOLO AND REMAIN THE SOLE AND EXCLUSIVE PROPERTY OF BEVOLO GAS & ELECTRIC LIGHTS. DRAWINGS AND DESIGNS SHALL NOT BE DUPLICATED IN WHOLE OR PART.