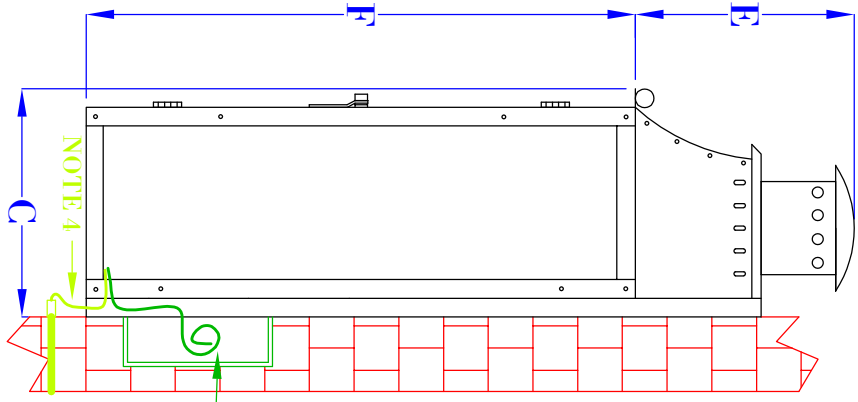


FRONT VIEW
(18" VERSION SHOWN)



SIDE VIEW
(18" VERSION SHOWN)

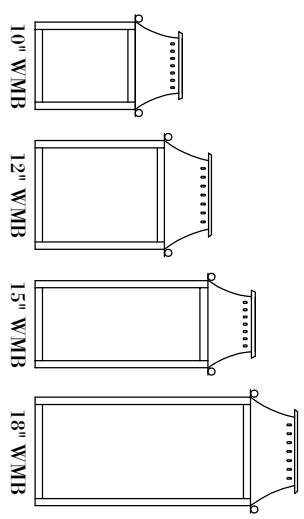
**FLUSH MOUNTED
GAS FIXTURES
CANNOT BE MOUNTED TO
ANY COMBUSTIBLE
MATERIALS INCLUDING
WOOD, VINYL, PVC
OR COMPOSITES**

NOTES:

1. MOUNTING HARDWARE SUPPLIED BY OTHERS
2. FIXTURES ARE HANDCRAFTED. DIMENSIONS MAY VARY PLUS OR MINUS $\frac{1}{16}$ "
3. ELECTRIC LIGHTS SUPPLIED WITH 18/2 WIRE WITH GROUND
4. GAS LIGHTS SUPPLIED WITH $\frac{3}{16}$ " COPPER GAS LINE AND $\frac{3}{16}$ " x $\frac{1}{4}$ " GAS LINE ADAPTOR
5. PROPORTIONS FOR EACH SIZE CHANGE. 18" IS REPRESENTED ABOVE, THUMBNAILS TO THE RIGHT SHOW ALL FOR COMPARISON
6. 10", 12" SIZES ARE NOT SOLD IN GAS

BEVOLO GAS & ELECTRIC LIGHTS

LIGHT:	WILLIAMSBURG W/ STACK 10", 12", 15", 18"
BRACKET:	FLUSH MOUNT



NOTE 5

SIZE:	10"	12"	15"	18"
A:	12 $\frac{1}{4}$ "	14 $\frac{5}{8}$ "	17 $\frac{1}{4}$ "	20 $\frac{5}{8}$ "
B:	7 $\frac{1}{4}$ "	8 $\frac{3}{4}$ "	7 $\frac{1}{4}$ "	8 $\frac{3}{4}$ "
C:	5 $\frac{1}{4}$ "	6"	5 $\frac{1}{4}$ "	6"
E:	5 $\frac{3}{8}$ "	5 $\frac{3}{4}$ "	5 $\frac{3}{8}$ "	5 $\frac{3}{4}$ "
F:	6 $\frac{7}{8}$ "	8 $\frac{7}{8}$ "	11 $\frac{7}{8}$ "	14 $\frac{7}{8}$ "

DATE:	5-17-24	DRW BY:	JJG
APP. BY:		REVISION:	
	JJG		6

COPYRIGHT 2024, BEVOLO GAS & ELECTRIC LIGHTS, DRAWINGS & DESIGNS ARE OWNED BY BEVOLO AND REMAIN THE SOLE AND EXCLUSIVE PROPERTY OF BEVOLO GAS & ELECTRIC LIGHTS. DRAWINGS AND DESIGNS SHALL NOT BE DUPLICATED IN WHOLE OR PART.