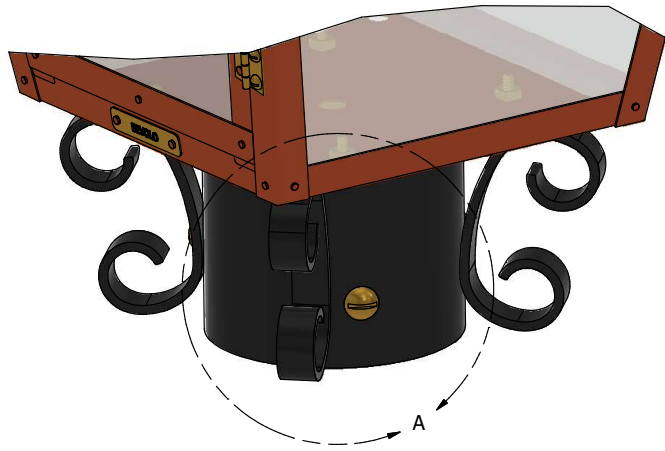


FOR COMPLETE INSTALLATION INSTRUCTIONS AND SAFETY WARNINGS, REFERENCE THE GREEN "GAS INSTALLATION AND USER GUIDE" INCLUDED WITH YOUR FIXTURE OR VISIT:

[BEVOLO.COM/INSTRUCTIONS](http://BEVOLO.COM/INSTRUCTIONS)



MOUNTING HARDWARE PROVIDED BY INSTALLER BASED ON MOUNTING SURFACE

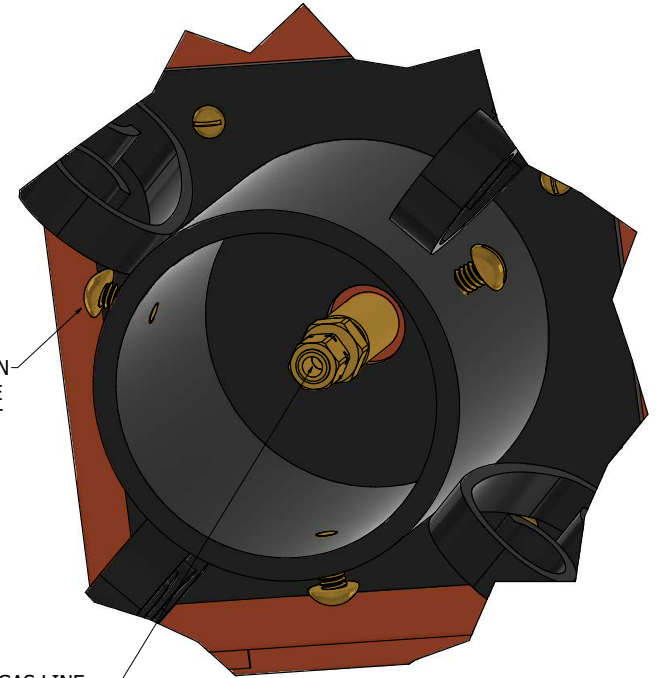
STEP 1: ATTACH COLUMN MOUNT ADAPTOR TO COLUMN SURFACE

STEP 3: LOWER FIXTURE ONTO COLUMN MOUNT ADAPTOR AND TIGHTEN THE (3) SET SCREWS TO SECURE BRACKET

1/4" MOUNTING HOLES

STEP 2: CONNECT 1/4" GAS LINE (PROVIDED BY INSTALLER) TO 1/4" COMPRESSION FITTING (INCLUDED WITH FIXTURE)

NOTE: A CAVITY IN COLUMN IS REQUIRED TO HOUSE COILED GAS LINE\*



DETAIL A  
UNDERSIDE OF FIXTURE

\*INSTALLATION TIP: TO AVOID KINKING THE GAS LINE DURING INSTALLATION, COIL THE 1/4" LINE SO IT CAN BE RAISED/LOWERED INTO THE COLUMN AS REQUIRED

BEVOLO GAS & ELECTRIC LIGHTS

COLUMN MOUNT INSTALLATION - GAS

COPYRIGHT 2023, BEVOLO GAS & ELECTRIC LIGHTS. THIS DRAWING AND ANY DESIGN OR DATA CONTAINED THEREIN ARE CONSIDERED PROPERTY OF BEVOLO GAS AND ELECTRIC LIGHTS. NEITHER THE DRAWING NOR ITS CONTENT MAY BE COPIED, REPRODUCED, OR EDITED TO A LIKENESS WITHOUT THE WRITTEN CONSENT OF BEVOLO GAS AND ELECTRIC LIGHTS.