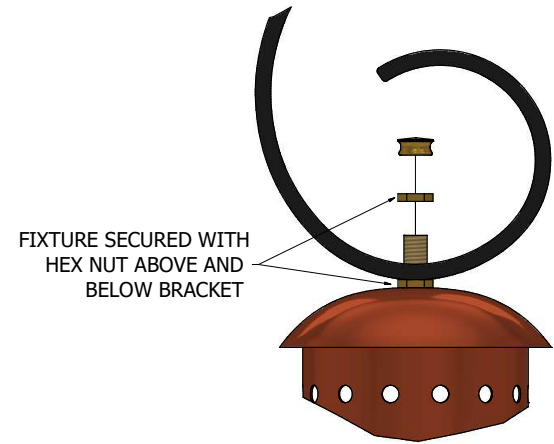
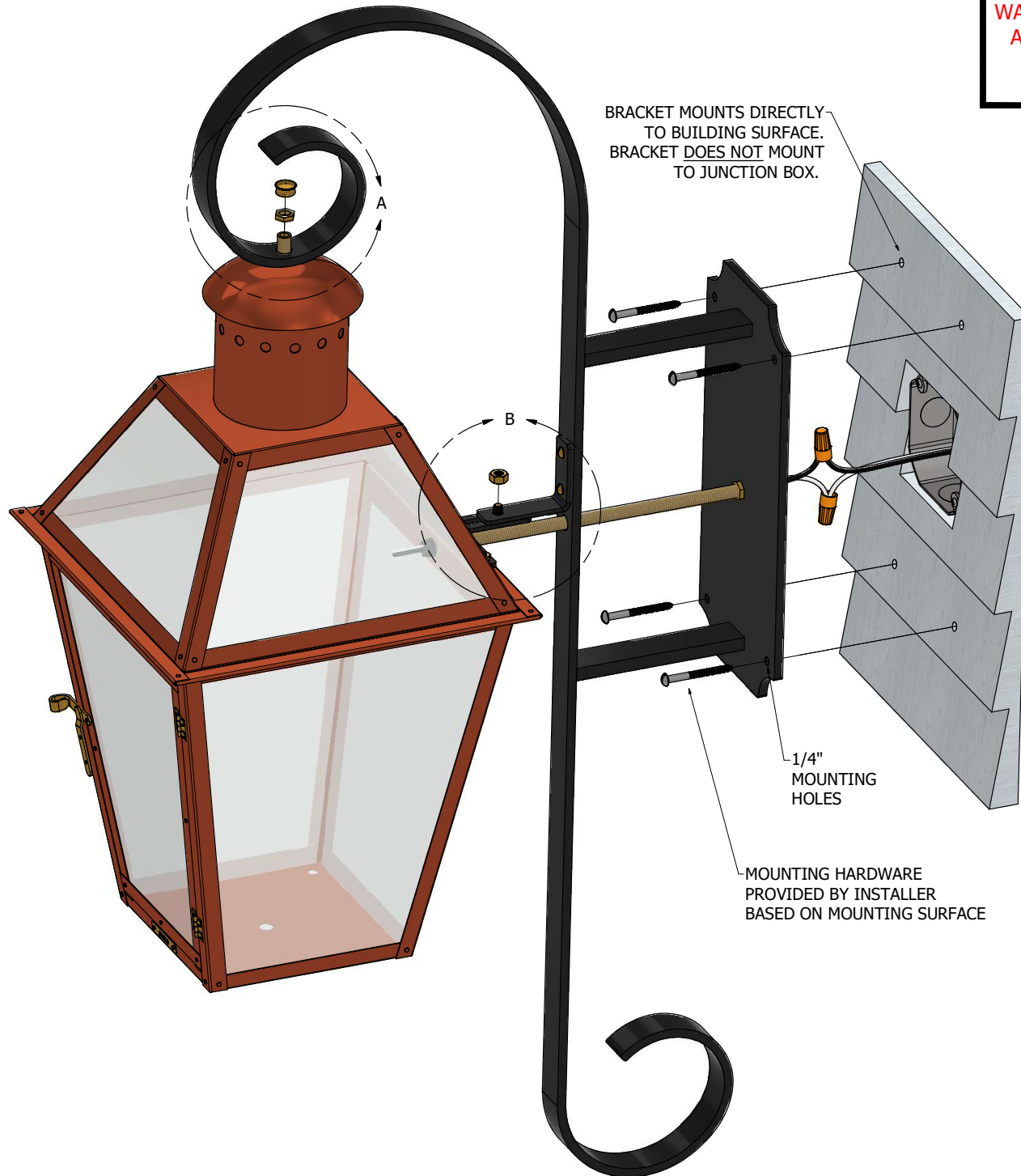


FOR COMPLETE INSTALLATION INSTRUCTIONS AND SAFETY WARNINGS, REFERENCE THE YELLOW "ELECTRIC INSTALLATION AND USER GUIDE" INCLUDED WITH YOUR FIXTURE OR VISIT:

BEVOLO.COM/INSTRUCTIONS

BRACKET MOUNTS DIRECTLY TO BUILDING SURFACE. BRACKET DOES NOT MOUNT TO JUNCTION BOX.

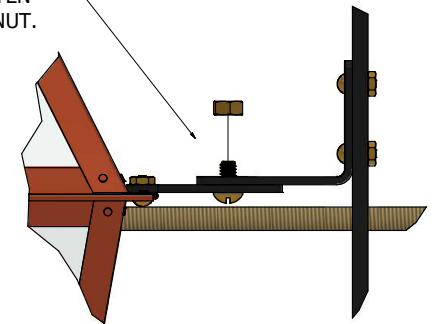


FIXTURE SECURED WITH HEX NUT ABOVE AND BELOW BRACKET

DETAIL A

FIXTURE TO BRACKET ATTACHMENT

ADJUST FIXTURE TO LEVEL POSITION. THEN TIGHTEN SCREW AND NUT.



DETAIL B

LEVEL ADJUSTMENT

BEVOLO GAS & ELECTRIC LIGHTS

RODIN INSTALLATION - ELECTRIC

COPYRIGHT 2023, BEVOLO GAS & ELECTRIC LIGHTS. THIS DRAWING AND ANY DESIGN OR DATA CONTAINED THEREIN ARE CONSIDERED PROPERTY OF BEVOLO GAS AND ELECTRIC LIGHTS. NEITHER THE DRAWING NOR ITS CONTENT MAY BE COPIED, REPRODUCED, OR EDITED TO A LIKENESS WITHOUT THE WRITTEN CONSENT OF BEVOLO GAS AND ELECTRIC LIGHTS.