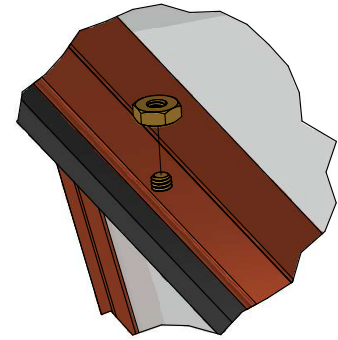
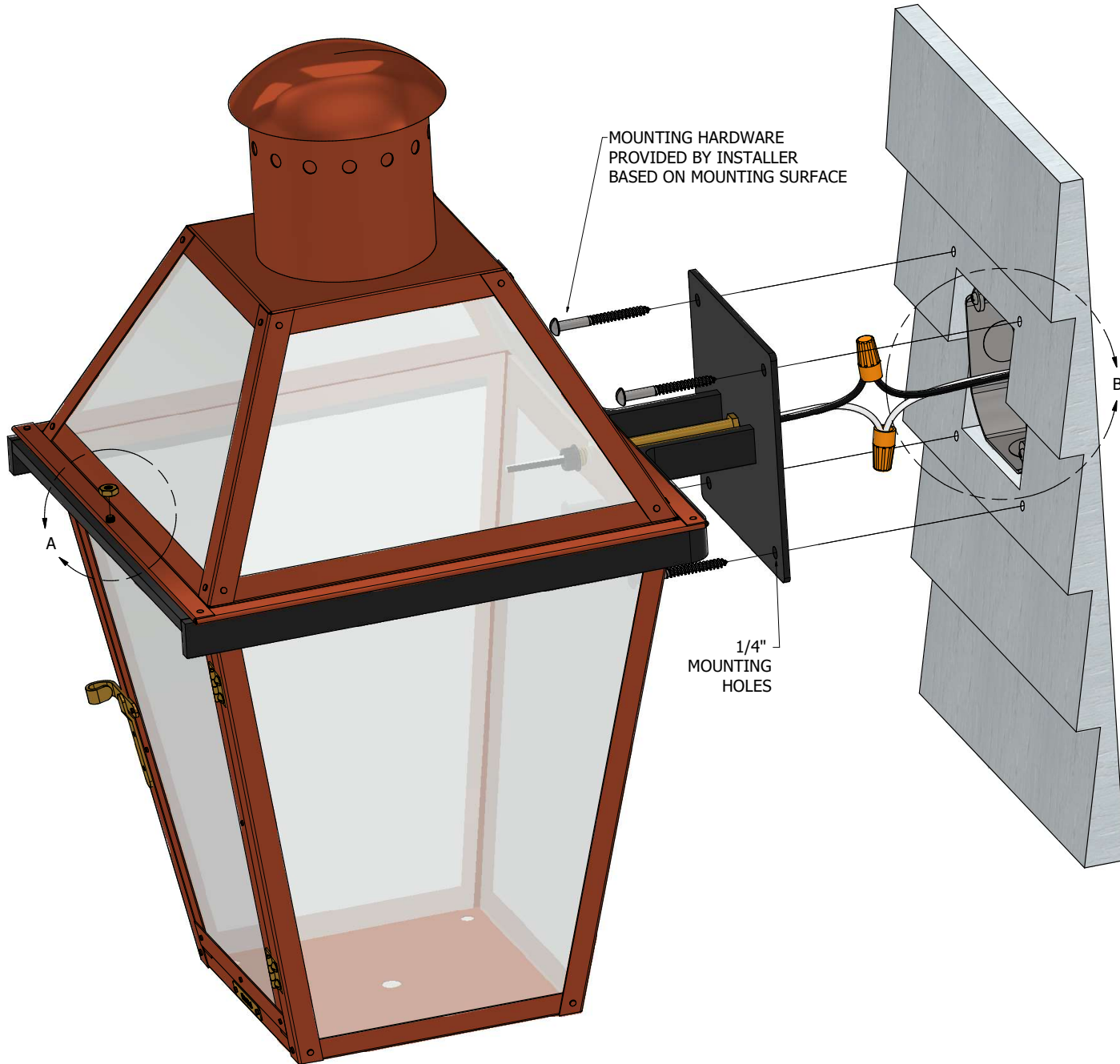


FOR COMPLETE INSTALLATION INSTRUCTIONS AND SAFETY WARNINGS, REFERENCE THE YELLOW "ELECTRIC INSTALLATION AND USER GUIDE" INCLUDED WITH YOUR FIXTURE OR VISIT:

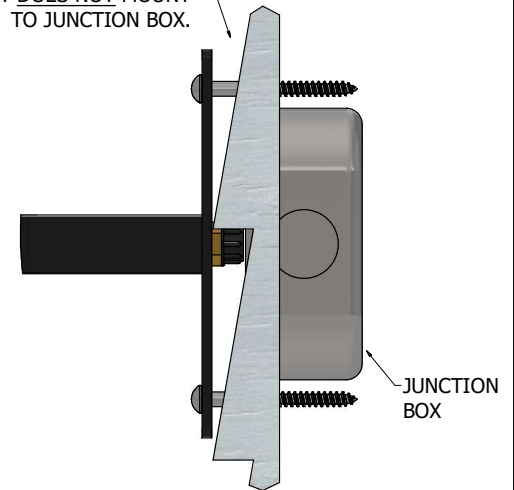
BEVOLO.COM/INSTRUCTIONS



DETAIL A

FIXTURE TO BRACKET ATTACHMENT

BRACKET MOUNTS DIRECTLY TO BUILDING SURFACE. BRACKET DOES NOT MOUNT TO JUNCTION BOX.



DETAIL B

BRACKET INSTALLED

BEVOLO GAS & ELECTRIC LIGHTS

ORIGINAL BRACKET INSTALLATION - ELECTRIC

COPYRIGHT 2023, BEVOLO GAS & ELECTRIC LIGHTS. THIS DRAWING AND ANY DESIGN OR DATA CONTAINED THEREIN ARE CONSIDERED PROPERTY OF BEVOLO GAS AND ELECTRIC LIGHTS. NEITHER THE DRAWING NOR ITS CONTENT MAY BE COPIED, REPRODUCED, OR EDITED TO A LIKENESS WITHOUT THE WRITTEN CONSENT OF BEVOLO GAS AND ELECTRIC LIGHTS.