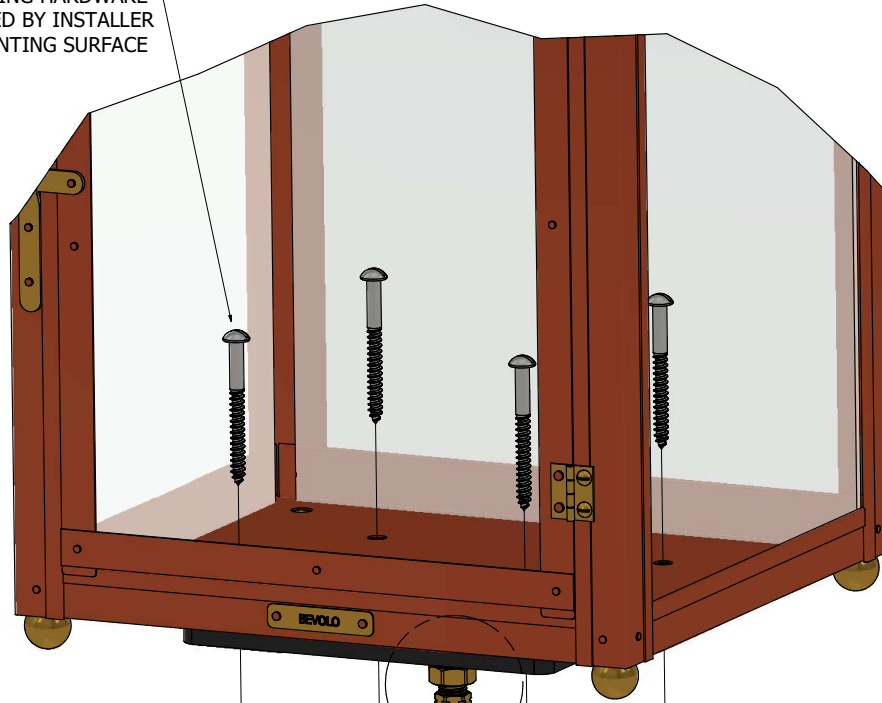
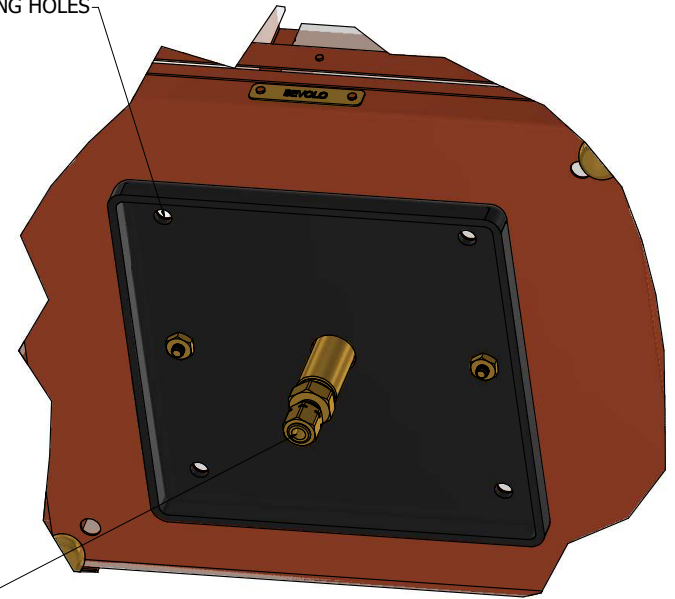


MOUNTING HARDWARE  
PROVIDED BY INSTALLER  
BASED ON MOUNTING SURFACE



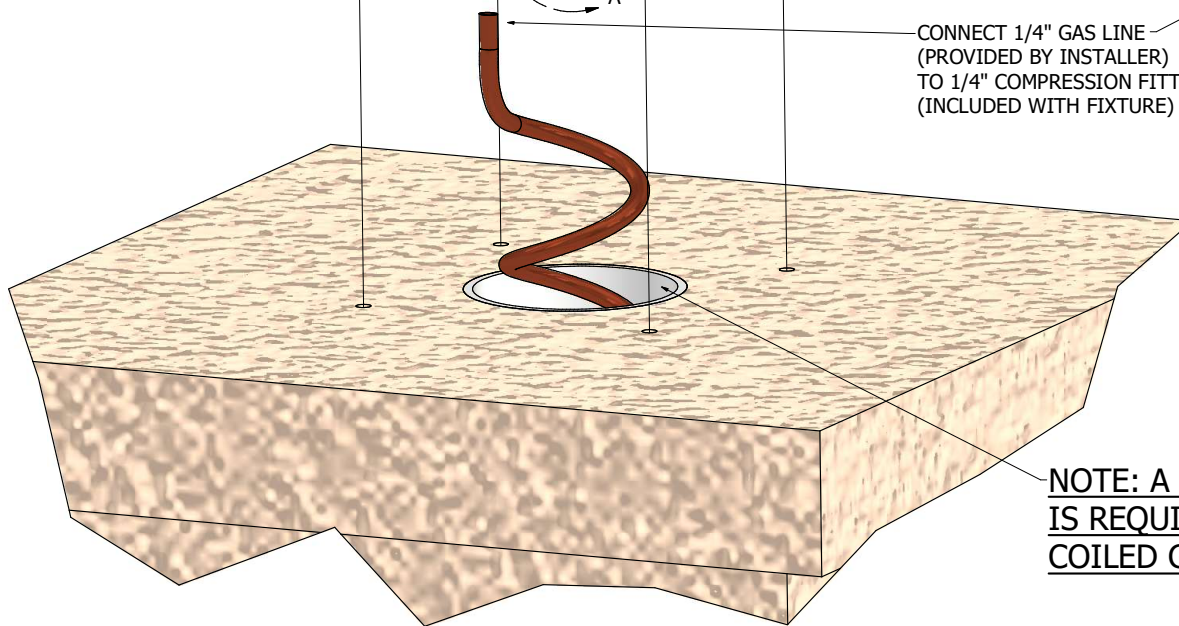
(4) MOUNTING HOLES



DETAIL A

UNDERSIDE OF FIXTURE

CONNECT 1/4" GAS LINE  
(PROVIDED BY INSTALLER)  
TO 1/4" COMPRESSION FITTING  
(INCLUDED WITH FIXTURE)



NOTE: A CAVITY IN COLUMN  
IS REQUIRED TO HOUSE  
COILED GAS LINE\*

\*INSTALLATION TIP: TO AVOID KINKING THE GAS LINE  
DURING INSTALLATION, COIL THE 1/4" LINE SO IT CAN  
BE RAISED/LOWERED INTO THE COLUMN AS REQUIRED

**BEVOLO GAS & ELECTRIC LIGHTS**

LOW PROFILE COLUMN MOUNT INSTALLATION - GAS

COPYRIGHT 2023, BEVOLO GAS & ELECTRIC LIGHTS. THIS DRAWING AND  
ANY DESIGN OR DATA CONTAINED THEREIN ARE CONSIDERED  
PROPERTY OF BEVOLO GAS AND ELECTRIC LIGHTS. NEITHER THE  
DRAWING NOR ITS CONTENT MAY BE COPIED, REPRODUCED, OR EDITED  
TO A LIKENESS WITHOUT THE WRITTEN CONSENT OF BEVOLO GAS AND  
ELECTRIC LIGHTS.