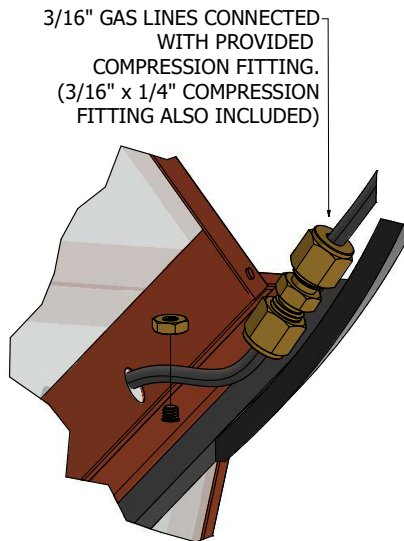


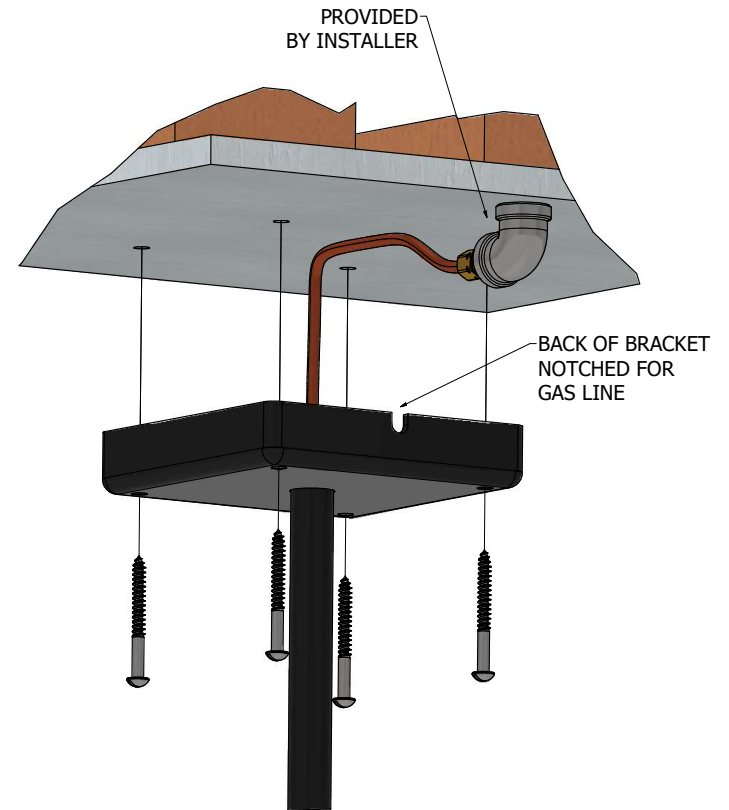
DETAIL A

TIGHTEN SET SCREW (BACK SIDE OF FIXTURE) AFTER ATTACHING STEM TO COUPLER



DETAIL B

FIXTURE SECURED WITH (2) SCREWS AND NUTS



DETAIL C

BRACKET MOUNTS DIRECTLY TO CEILING. BRACKET DOES NOT MOUNT TO JUNCTION BOX.

BEVOLO GAS & ELECTRIC LIGHTS

YOKE INSTALLATION - GAS

COPYRIGHT 2023, BEVOLO GAS & ELECTRIC LIGHTS. THIS DRAWING AND ANY DESIGN OR DATA CONTAINED THEREIN ARE CONSIDERED PROPERTY OF BEVOLO GAS AND ELECTRIC LIGHTS. NEITHER THE DRAWING NOR ITS CONTENT MAY BE COPIED, REPRODUCED, OR EDITED TO A LIKENESS WITHOUT THE WRITTEN CONSENT OF BEVOLO GAS AND ELECTRIC LIGHTS.