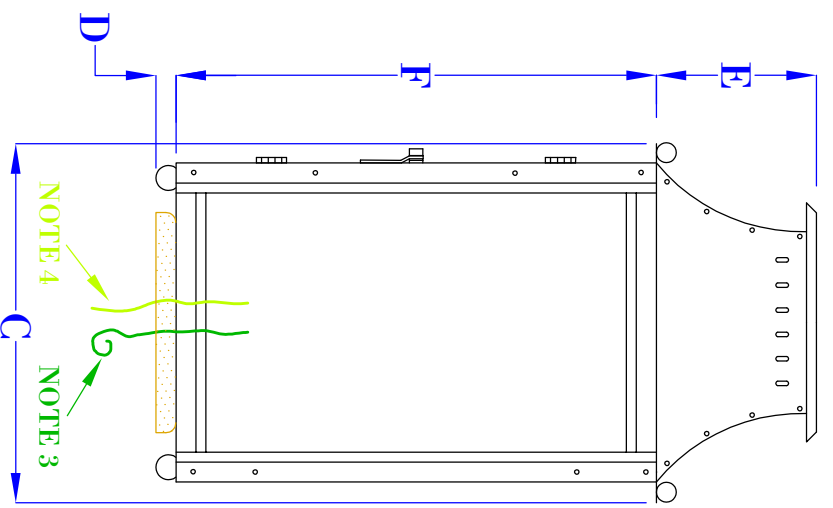


**FRONT VIEW**

(16" VERSION SHOWN)



**SIDE VIEW**

(16" VERSION SHOWN)

**NOTES:**

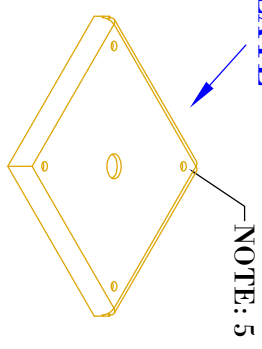
1. MOUNTING HARDWARE SUPPLIED BY OTHERS
2. FIXTURES ARE HANDCRAFTED. DIMENSIONS MAY VARY PLUS OR MINUS  $\frac{1}{4}$ "
3. ELECTRIC LIGHTS SUPPLIED WITH 18/2 WIRE WITH GROUND
4. GAS LIGHTS SUPPLIED WITH  $\frac{3}{16}$ " COPPER GAS LINE AND  $\frac{3}{16}$ " x  $\frac{1}{4}$ " GAS LINE ADAPTOR
5. FIXTURE IS SECURED TO COLUMN BY INSTALLING MOUNTING HARDWARE FROM INSIDE OF LIGHT, THROUGH BASE OF FIXTURE AND CORRESPONDING HOLES IN BRACKET.
6. PROPORTIONS FOR EACH SIZE CHANGE. 16" IS REPRESENTED ABOVE, THUMBNAILS TO THE RIGHT SHOW ALL FOR COMPARISON.

# BEVOLO GAS & ELECTRIC LIGHTS

**LIGHT:** WILLIAMSBURG 14", 16", 22"

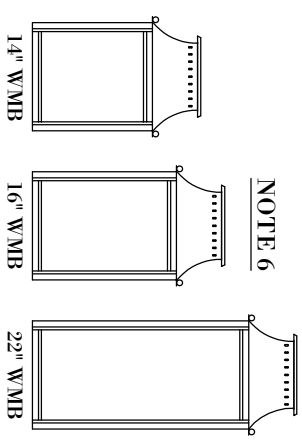
**BRACKET:** LOW PROFILE COLUMN MOUNT

**5-1/2" x 5-1/2" MOUNTING PLATE**



**ISOMETRIC VIEW**

(NTS- BRACKET ONLY)



SIZE:	14"	16"	22"
A:	14 $\frac{5}{8}$ "	16 $\frac{5}{8}$ "	22 $\frac{5}{8}$ "
B:	10 $\frac{1}{8}$ "	10 $\frac{1}{8}$ "	10 $\frac{1}{8}$ "
C:	9 $\frac{1}{8}$ "	9 $\frac{1}{8}$ "	9 $\frac{1}{8}$ "
D:	1" $\frac{1}{2}$ "	1" $\frac{1}{2}$ "	1" $\frac{1}{2}$ "
E:	4"	4"	4"
F:	10 $\frac{1}{8}$ "	12 $\frac{1}{8}$ "	18 $\frac{1}{8}$ "

COPYRIGHT 2021, BEVOLO GAS & ELECTRIC LIGHTS. THIS DRAWING AND ANY DESIGN OR DATA CONTAINED THEREIN ARE CONSIDERED PROPERTY OF BEVOLO GAS AND ELECTRIC LIGHTS. NEITHER THE DRAWING NOR ITS CONTENT MAY BE COPIED, REPRODUCED, OR EDITED TO ALIENNESS WITHOUT THE WRITTEN CONSENT OF BEVOLO GAS AND ELECTRIC LIGHTS.

DATE:	APP. BY:	DRW BY:
12-7-21	JJG	JJG
REVISION:		
5		