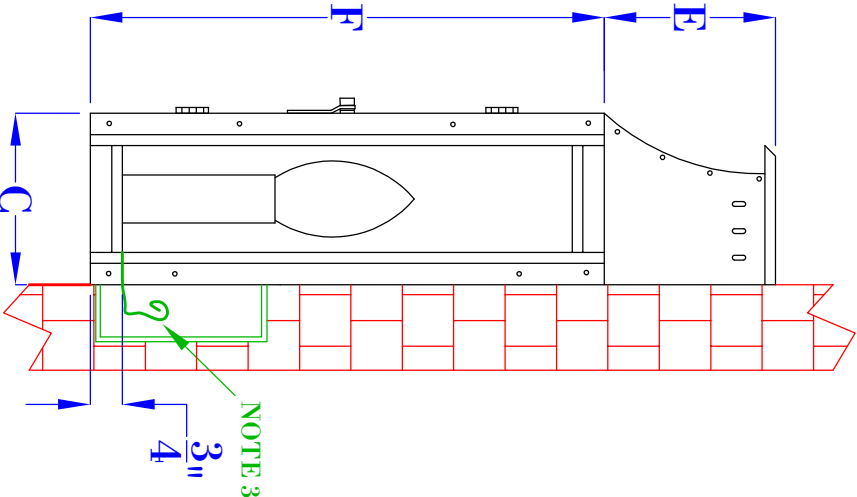
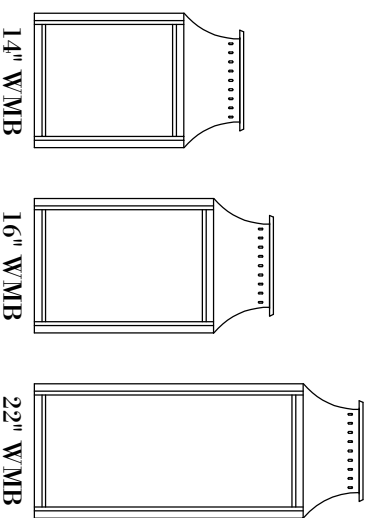


FRONT VIEW
(16" VERSION SHOWN)



SIDE VIEW
(16" VERSION SHOWN)

NOTE 3



NOTE 4

- NOTES:
1. MOUNTING HARDWARE SUPPLIED BY OTHERS
 2. FIXTURES ARE HANDCRAFTED. DIMENSIONS MAY VARY PLUS OR MINUS $\frac{1}{4}$ "
 3. ELECTRIC LIGHTS SUPPLIED WITH 18/2 WIRE WITH GROUND
 4. PROPORTIONS FOR EACH SIZE CHANGE. 16" IS REPRESENTED ABOVE, THUMBNAILS TO THE RIGHT SHOW ALL FOR COMPARISON

BEVOLO GAS & ELECTRIC LIGHTS

LIGHT: WILLIAMSBURG 14", 16", 22" (ADA COMPLIANT)

BRACKET: FLUSH MOUNT

SIZE:	14"	16"	22"
A:	14 $\frac{1}{8}$ "	16 $\frac{1}{8}$ "	22 $\frac{1}{8}$ "
B:	9 $\frac{1}{8}$ "	9 $\frac{1}{8}$ "	9 $\frac{1}{8}$ "
C:	4"	4"	4"
E:	4"	4"	4"
F:	10 $\frac{1}{8}$ "	12 $\frac{1}{8}$ "	18 $\frac{1}{8}$ "

DRW BY: JJC
 APP. BY: JJC
 DATE: 2-3-22
 REVISION: 2

COPYRIGHT 2022, BEVOLO GAS & ELECTRIC LIGHTS. DRAWINGS & DESIGNS ARE OWNED BY BEVOLO AND REMAIN THE SOLE AND EXCLUSIVE PROPERTY OF BEVOLO GAS & ELECTRIC LIGHTS. DRAWINGS AND DESIGNS SHALL NOT BE DUPLICATED IN WHOLE OR PART.