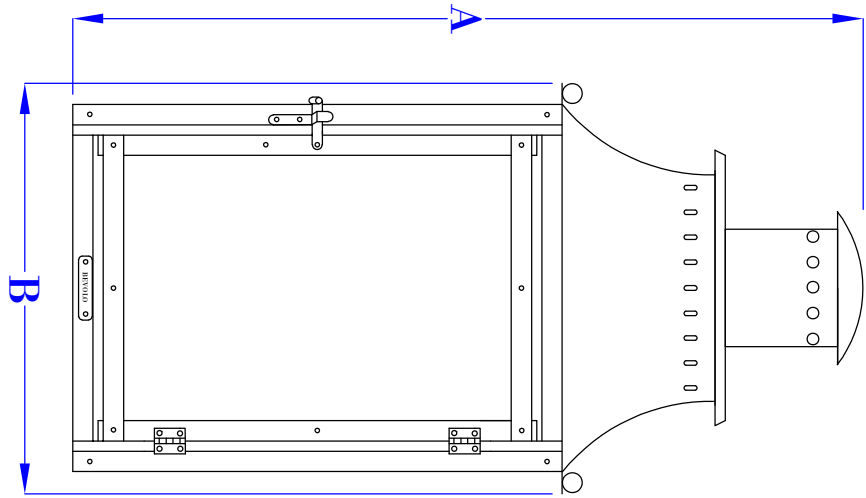
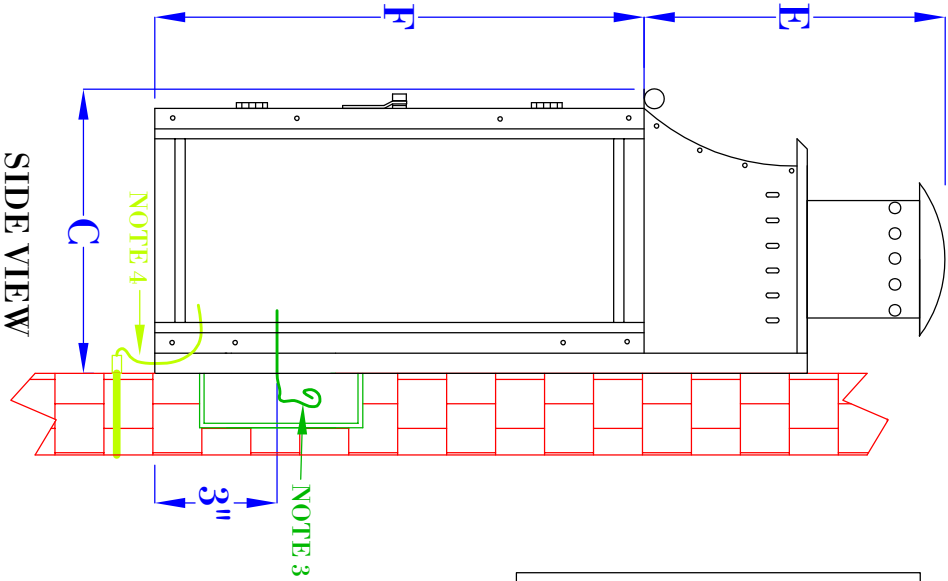


**FLUSH MOUNTED
GAS FIXTURES
CANNOT BE MOUNTED TO
ANY COMBUSTIBLE
MATERIALS INCLUDING
WOOD, VINYL, PVC
OR COMPOSITES**



FRONT VIEW
(16" VERSION SHOWN)



SIDE VIEW
(16" VERSION SHOWN)

NOTES:

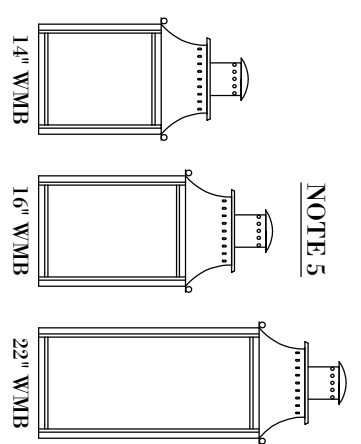
1. MOUNTING HARDWARE SUPPLIED BY OTHERS
2. FIXTURES ARE HANDCRAFTED. DIMENSIONS MAY VARY PLUS OR MINUS $\frac{1}{4}$ "
3. ELECTRIC LIGHTS SUPPLIED WITH 18/2 WIRE WITH GROUND
4. GAS LIGHTS SUPPLIED WITH $\frac{3}{16}$ " COPPER GAS LINE AND $\frac{3}{16}$ " x $\frac{1}{4}$ " GAS LINE ADAPTOR
5. PROPORTIONS FOR EACH SIZE CHANGE. 16" IS REPRESENTED ABOVE, THUMBNAILS TO THE RIGHT SHOW ALL FOR COMPARISON.

BEVOLO GAS & ELECTRIC LIGHTS

LIGHT: WILLIAMSBURG W/ STACK 14", 16", 22"

BRACKET: FLUSH MOUNT

SIZE:	14"	16"	22"
A:	17 $\frac{1}{2}$ "	19 $\frac{1}{2}$ "	25 $\frac{1}{2}$ "
B:	10 $\frac{1}{8}$ "	10 $\frac{1}{8}$ "	10 $\frac{1}{8}$ "
C:	7 $\frac{1}{4}$ "	7 $\frac{1}{4}$ "	7 $\frac{1}{4}$ "
E:	7 $\frac{3}{8}$ "	7 $\frac{3}{8}$ "	7 $\frac{3}{8}$ "
F:	10 $\frac{1}{8}$ "	12 $\frac{1}{8}$ "	18 $\frac{1}{8}$ "



NOTE 5

DATE: 12-7-21
APP. BY: JJG
REVISION: 5

DRW BY: JJG

COPYRIGHT 2021, BEVOLO GAS & ELECTRIC LIGHTS, DRAWINGS & DESIGNS ARE OWNED BY BEVOLO AND REMAIN THE SOLE AND EXCLUSIVE PROPERTY OF BEVOLO GAS & ELECTRIC LIGHTS. DRAWINGS AND DESIGNS SHALL NOT BE DUPLICATED IN WHOLE OR PART.