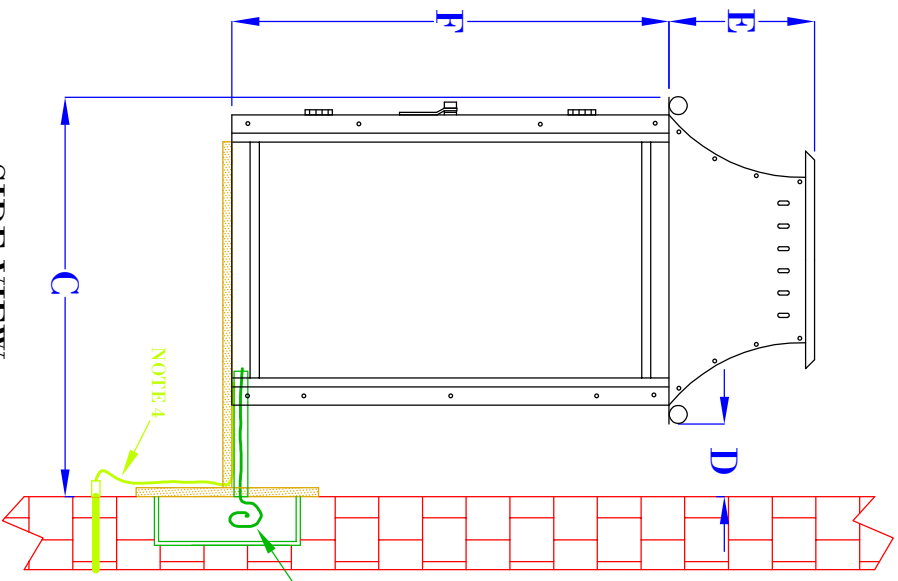
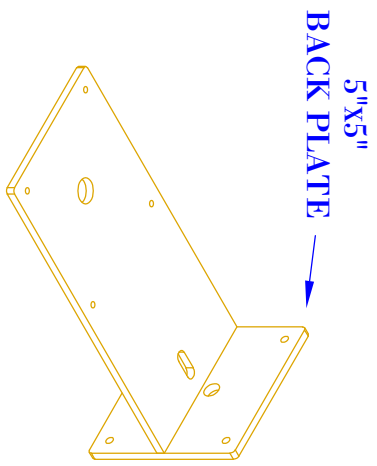


**FRONT VIEW**  
(NTS)



**SIDE VIEW**  
(NTS)



**ISOMETRIC VIEW**  
(NTS - BRACKET ONLY)

- NOTES:
1. MOUNTING HARDWARE SUPPLIED BY OTHERS
  2. FIXTURES ARE HANDCRAFTED. DIMENSIONS MAY VARY PLUS OR MINUS  $\frac{1}{4}$ "
  3. ELECTRIC LIGHTS SUPPLIED WITH 18/2 WIRE WITH GROUND
  4. GAS LIGHTS SUPPLIED WITH  $\frac{3}{16}$ " COPPER GAS LINE AND  $\frac{3}{4}$ " GAS LINE ADAPTOR

# BEVOLO GAS & ELECTRIC LIGHTS

**LIGHT:** WILLIAMSBURG - 14", 16", 22"

**BRACKET:** SHELF BRACKET

SIZE:	14"	16"	22"
A:	14 $\frac{1}{8}$ "	16 $\frac{1}{8}$ "	22 $\frac{1}{8}$ "
B:	10 $\frac{1}{8}$ "	10 $\frac{1}{8}$ "	10 $\frac{1}{8}$ "
C:	11"	11"	11"
D:	2"	2"	2"
E:	4"	4"	4"
F:	10 $\frac{1}{8}$ "	12 $\frac{1}{8}$ "	18 $\frac{1}{8}$ "

DRW BY: JJG  
APP. BY: JJG  
REVISION: 2

DATE: 7-29-20

COPYRIGHT 2020, BEVOLO GAS & ELECTRIC LIGHTS. DRAWINGS & DESIGNS ARE OWNED BY BEVOLO AND REMAIN THE SOLE AND EXCLUSIVE PROPERTY OF BEVOLO GAS & ELECTRIC LIGHTS. DRAWINGS AND DESIGNS SHALL NOT BE DUPLICATED IN WHOLE OR PART.