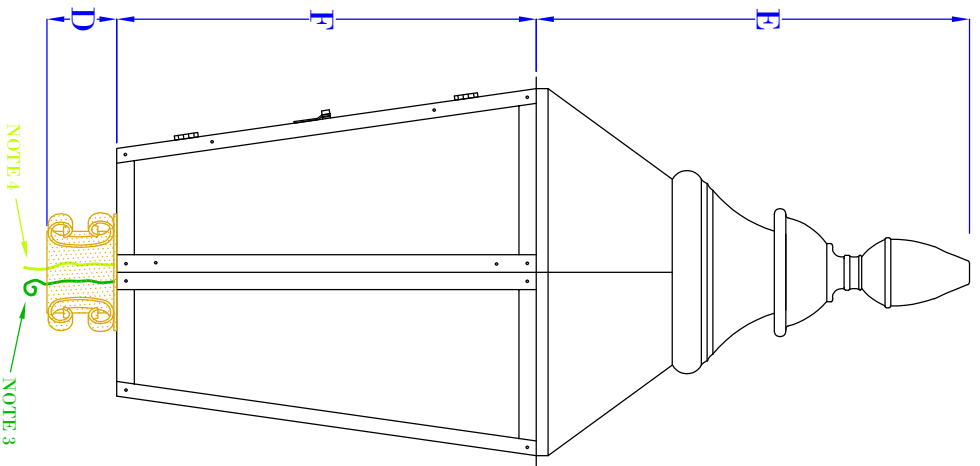


FRONT VIEW
(NTS)



SIDE VIEW
(NTS)

- NOTES:**
1. MOUNTING HARDWARE SUPPLIED BY OTHERS
 2. FIXTURES ARE HANDCRAFTED. DIMENSIONS MAY VARY PLUS OR MINUS $\frac{1}{4}$ "
 3. ELECTRIC LIGHTS SUPPLIED WITH 18/2 WIRE WITH GROUND
 4. GAS LIGHTS SUPPLIED WITH $\frac{1}{8}$ " GAS NIPPLE AND $\frac{1}{8}$ " IP x $\frac{1}{4}$ " GAS LINE ADAPTOR

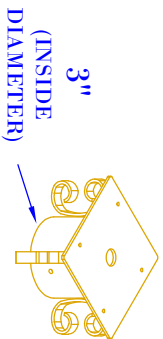
BEVOLO GAS & ELECTRIC LIGHTS

LIGHT:
BRACKET:

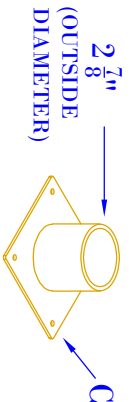
SIX SIDED LONDON STREET
POST MOUNT & COLUMN MOUNT

DATE: 6-22-20
APP. BY: JJG
REVISION: 3

DRW BY: JJG



ISOMETRIC VIEW-POST MOUNT
(NTS- BRACKET ONLY)



ISOMETRIC VIEW-W.COLUMN MOUNT ADAPTOR
(NTS- BRACKET ONLY)

SIZE:	29"	36"
A:	32"	40 $\frac{1}{4}$ "
B:	15 $\frac{3}{4}$ "	20 $\frac{1}{4}$ "
C:	5"X5"	5"X5"
D:	3"	3"
E:	15 $\frac{1}{4}$ "	18 $\frac{1}{2}$ "
F:	13 $\frac{3}{4}$ "	18 $\frac{3}{4}$ "

COPYRIGHT 2020, BEVOLO GAS & ELECTRIC LIGHTS. DRAWINGS & DESIGNS ARE OWNED BY BEVOLO AND REMAIN THE SOLE AND EXCLUSIVE PROPERTY OF BEVOLO GAS & ELECTRIC LIGHTS. DRAWINGS AND DESIGNS SHALL NOT BE DUPLICATED IN WHOLE OR PART.