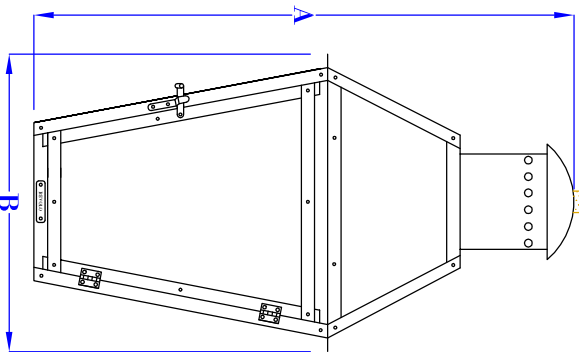
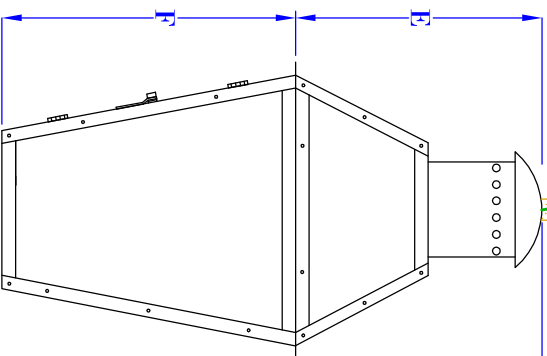


5" X 5" BOXPLATE



FRONT VIEW  
(NTS)



SIDE VIEW  
(NTS)

TOP VIEW  
(NTS- BRACKET ONLY)

SIZE:	14"	18"	21"	24"	27"	30"	36"
A:	14 $\frac{1}{4}$ "	17 $\frac{3}{4}$ "	20 $\frac{1}{2}$ "	25 $\frac{1}{4}$ "	26 $\frac{1}{4}$ "	30 $\frac{5}{8}$ "	37"
B:	9 $\frac{1}{4}$ "	10 $\frac{1}{2}$ "	11 $\frac{1}{2}$ "	13 $\frac{1}{4}$ "	14 $\frac{1}{2}$ "	17 $\frac{1}{2}$ "	21 $\frac{1}{2}$ "
C:	NA	NA	NA	NA	NA	NA	NA
D:	VARIES	VARIES	VARIES	VARIES	VARIES	VARIES	VARIES
E:	6 $\frac{1}{4}$ "	7 $\frac{5}{8}$ "	9 $\frac{3}{8}$ "	12 $\frac{3}{8}$ "	11 $\frac{7}{8}$ "	14 $\frac{1}{2}$ "	17 $\frac{3}{8}$ "
F:	8"	10 $\frac{1}{8}$ "	11 $\frac{1}{8}$ "	12 $\frac{7}{8}$ "	14 $\frac{3}{8}$ "	16 $\frac{1}{8}$ "	19 $\frac{5}{8}$ "

- NOTES:
1. MOUNTING HARDWARE SUPPLIED BY OTHERS
  2. FIXTURES ARE HANDCRAFTED. DIMENSIONS MAY VARY PLUS OR MINUS  $\frac{1}{4}$ "
  3. ELECTRIC LIGHTS SUPPLIED WITH 18/2 WIRE WITH GROUND  
(THIS FIXTURE IS NOT SOLD IN GAS)

# BEVOLO GAS & ELECTRIC LIGHTS

LIGHT:

FRENCH QUARTER

BRACKET:

HANGING STEM ELECTRIC

DATE: 9-1-16  
APP. BY: MAJ  
REVISION: 4

DRW BY: JJG

COPYRIGHT 2009, BEVOLO GAS & ELECTRIC LIGHTS, DRAWINGS & DESIGNS ARE OWNED BY BEVOLO AND REMAIN THE SOLE AND EXCLUSIVE PROPERTY OF BEVOLO GAS & ELECTRIC LIGHTS. DRAWINGS AND DESIGNS SHALL NOT BE DUPLICATED IN WHOLE OR PART.