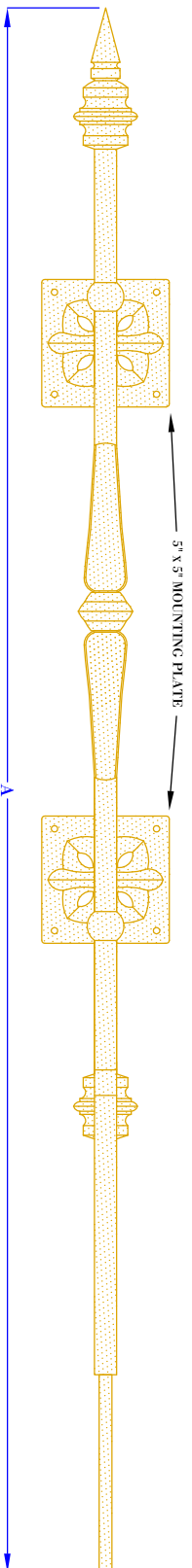
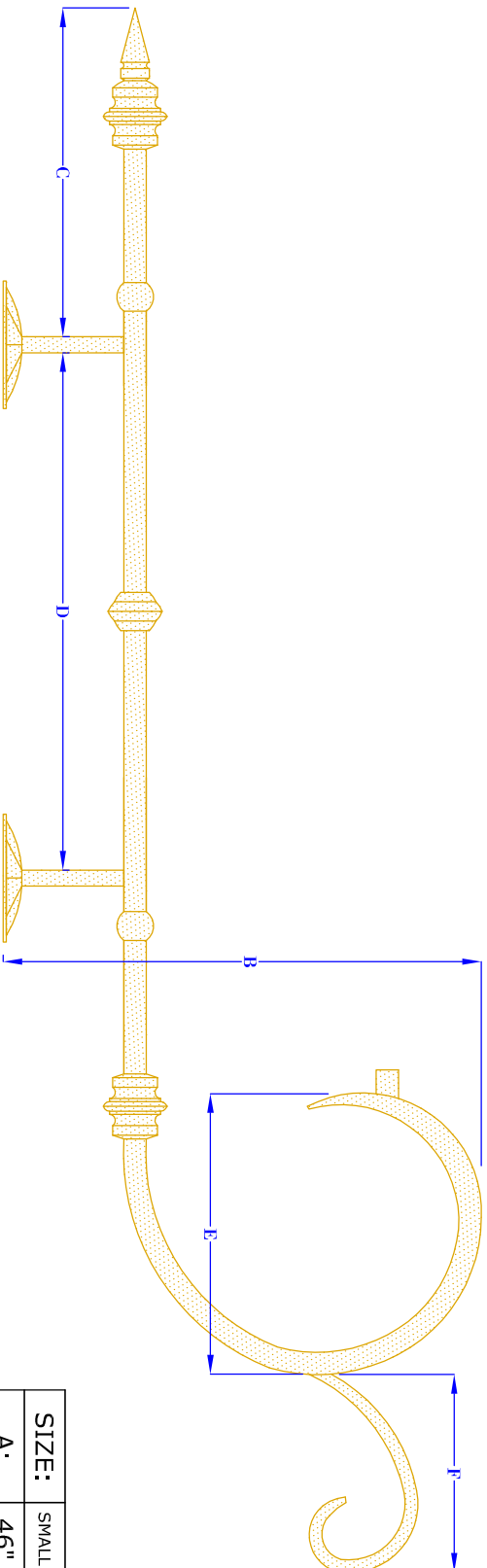


**FRONT VIEW**  
(NTS)



**SIDE VIEW**  
(NTS)



SIZE:	SMALL	LARGE
A:	46"	61"
B:	15"	18 <sup>5</sup> / <sub>8</sub> "
C:	11 <sup>3</sup> / <sub>4</sub> "	12 <sup>3</sup> / <sub>4</sub> "
D:	15"	20"
E:	8 <sup>1</sup> / <sub>8</sub> "	10 <sup>3</sup> / <sub>4</sub> "
F:	6"	7 <sup>3</sup> / <sub>4</sub> "

# BEVOLO GAS & ELECTRIC LIGHTS

**LIGHT:**

DATE:

APP. BY:

MAJ

COPYRIGHT 2009, BEVOLO GAS & ELECTRIC LIGHTS, DRAWINGS & DESIGNS ARE OWNED BY BEVOLO AND REMAIN THE SOLE AND EXCLUSIVE PROPERTY OF BEVOLO GAS & ELECTRIC LIGHTS. DRAWINGS AND DESIGNS SHALL NOT BE DUPLICATED IN WHOLE OR PART.

**BRACKET:**

ELECTRIC CANNAL ST. LIGHT

11-2-15

REVISION:

3

DRW BY:

JJG