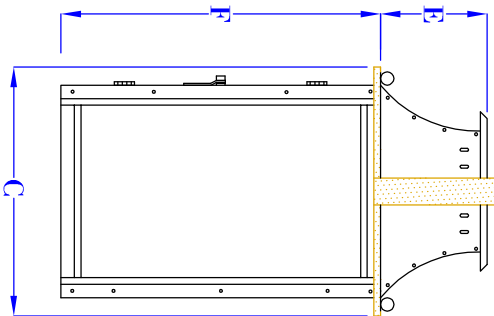
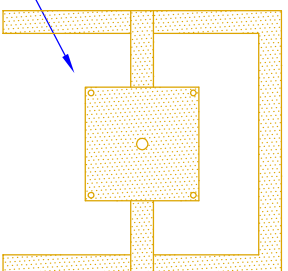


FRONT VIEW
(NTS)



SIDE VIEW
(NTS)

5" X 5" X 1"
BOX PLATE



TOP VIEW
(NTS- BRACKET ONLY)

- NOTES:**
1. MOUNTING HARDWARE SUPPLIED BY OTHERS
 2. FIXTURES ARE HANDCRAFTED. DIMENSIONS MAY VARY PLUS OR MINUS $\frac{1}{4}$ "
 3. ELECTRIC LIGHTS SUPPLIED WITH 18/2 WIRE WITH GROUND
 4. GAS LIGHTS SUPPLIED WITH $\frac{3}{16}$ " COPPER GAS LINE AND $\frac{3}{16}$ " X $\frac{1}{4}$ " GAS LINE ADAPTOR

BEVOLO GAS & ELECTRIC LIGHTS

LIGHT: 14", 16", 22" WILLIAMSBURG

BRACKET: SQUARE YOKE

SIZE:	14"	16"	22"
A:	18 $\frac{7}{8}$ "	20 $\frac{7}{8}$ "	26 $\frac{7}{8}$ "
B:	10 $\frac{7}{8}$ "	10 $\frac{7}{8}$ "	10 $\frac{7}{8}$ "
C:	9 $\frac{3}{8}$ "	9 $\frac{3}{8}$ "	9 $\frac{3}{8}$ "
D:	VARIES	VARIES	VARIES
E:	4"	4"	4"
F:	10 $\frac{1}{8}$ "	12 $\frac{1}{8}$ "	18 $\frac{1}{8}$ "

DATE: 3-24-16

DRW BY: JIG

APP. BY: MAJ

REVISION: 2

COPYRIGHT 2015, BEVOLO GAS & ELECTRIC LIGHTS. DRAWINGS & DESIGNS ARE OWNED BY BEVOLO AND REMAIN THE SOLE AND EXCLUSIVE PROPERTY OF BEVOLO GAS & ELECTRIC LIGHTS. DRAWINGS AND DESIGNS SHALL NOT BE DUPLICATED IN WHOLE OR PART.