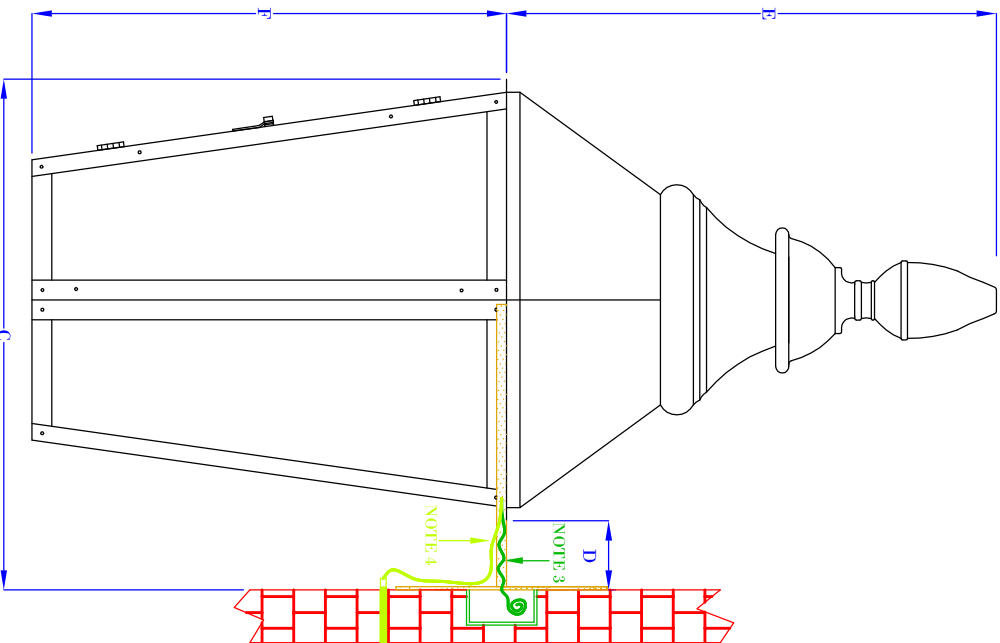
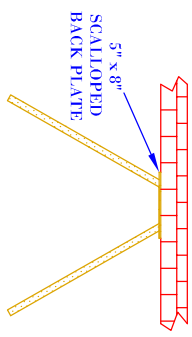


FRONT VIEW
(NTS)



SIDE VIEW
(NTS)



TOP VIEW
(NTS-BRACKET ONLY)

NOTES:

1. MOUNTING HARDWARE SUPPLIED BY OTHERS
2. FIXTURES ARE HANDCRAFTED. DIMENSIONS MAY VARY PLUS OR MINUS $\frac{1}{4}$ "
3. ELECTRIC LIGHTS SUPPLIED WITH 18/2 WIRE WITH GROUND
4. GAS LIGHTS SUPPLIED WITH $\frac{3}{16}$ " COPPER GAS LINE AND $\frac{3}{16}$ " x $\frac{1}{4}$ " GAS LINE ADAPTOR

SIZE:	29"	36"
A:	29"	37 $\frac{1}{4}$ "
B:	15 $\frac{3}{4}$ "	20 $\frac{1}{4}$ "
C:	15 $\frac{3}{4}$ "	21 $\frac{3}{4}$ "
D:	3"	4 $\frac{1}{4}$ "
E:	15 $\frac{1}{4}$ "	18 $\frac{1}{2}$ "
F:	13 $\frac{3}{4}$ "	18 $\frac{3}{4}$ "

BEVULO GAS & ELECTRIC LIGHTS

LIGHT: SIX SIDED LONDON STREET

BRACKET: STANDARD WALL MOUNT

DATE:	APP. BY:	MAJ
8-5-10	REVISION:	2

COPYRIGHT 2009, BEVULO GAS & ELECTRIC LIGHTS, DRAWINGS & DESIGNS ARE OWNED BY BEVULO AND REMAIN THE SOLE AND EXCLUSIVE PROPERTY OF BEVULO GAS & ELECTRIC LIGHTS. DRAWINGS AND DESIGNS SHALL NOT BE DUPLICATED IN WHOLE OR PART.