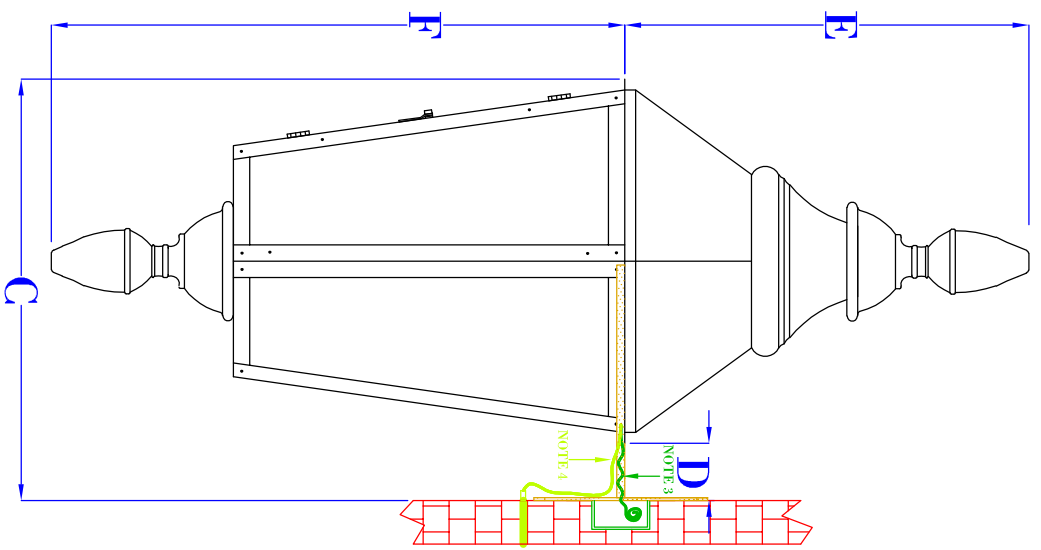


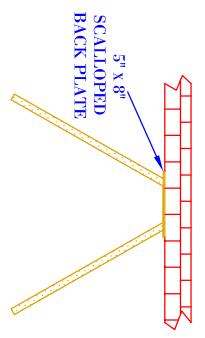
FRONT VIEW
(NTS)

NOTES:

1. MOUNTING HARDWARE SUPPLIED BY OTHERS
2. FIXTURES ARE HANDCRAFTED. DIMENSIONS MAY VARY PLUS OR MINUS $\frac{1}{4}$ "
3. ELECTRIC LIGHTS SUPPLIED WITH 18/2 WIRE WITH GROUND
4. GAS LIGHTS SUPPLIED WITH $\frac{3}{16}$ " COPPER GAS LINE AND $\frac{3}{16}$ " X $\frac{1}{4}$ " GAS LINE ADAPTOR



SIDE VIEW
(NTS)



TOP VIEW
(NTS-BRACKET ONLY)

SIZE:	37"	45"
A:	37"	45 $\frac{1}{4}$ "
B:	15 $\frac{3}{4}$ "	20 $\frac{1}{4}$ "
C:	15 $\frac{3}{4}$ "	21 $\frac{3}{4}$ "
D:	3"	4 $\frac{1}{4}$ "
E:	15 $\frac{1}{4}$ "	18 $\frac{1}{2}$ "
F:	21 $\frac{3}{4}$ "	26 $\frac{3}{4}$ "

BEVOLO GAS & ELECTRIC LIGHTS

LIGHT: SIX SIDED LONDON STREET W/ LONDON BOTTOM

BRACKET: STANDARD WALL MOUNT

DATE:	DRW BY:	JIG
5-8-19	APP. BY:	JIG
	REVISION:	2

COPYRIGHT 2009, BEVOLO GAS & ELECTRIC LIGHTS. DRAWINGS & DESIGNS ARE OWNED BY BEVOLO AND REMAIN THE SOLE AND EXCLUSIVE PROPERTY OF BEVOLO GAS & ELECTRIC LIGHTS. DRAWINGS AND DESIGNS SHALL NOT BE DUPLICATED IN WHOLE OR PART.