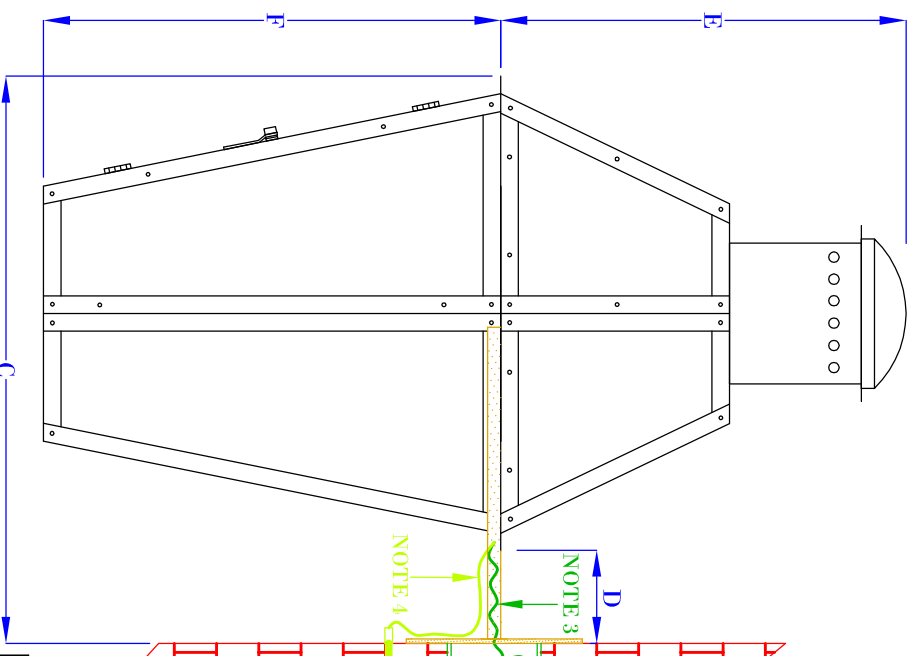
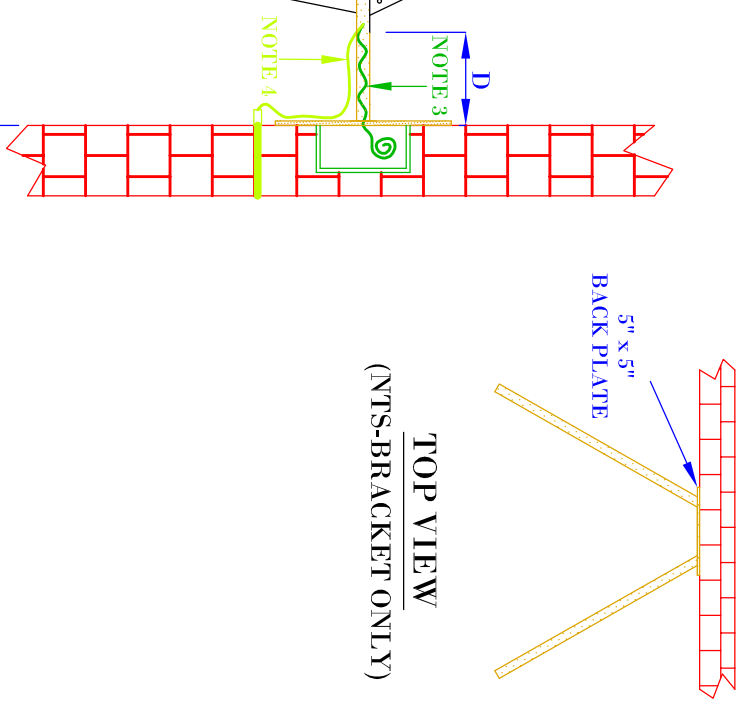


FRONT VIEW
(NTS)



SIDE VIEW
(NTS)



TOP VIEW
(NTS-BRACKET ONLY)

- NOTES:
1. MOUNTING HARDWARE SUPPLIED BY OTHERS
 2. FIXTURES ARE HANDCRAFTED. DIMENSIONS MAY VARY PLUS OR MINUS $\frac{1}{4}$ "
 3. ELECTRIC LIGHTS SUPPLIED WITH 18/2 WIRE WITH GROUND
 4. GAS LIGHTS SUPPLIED WITH $\frac{3}{16}$ " COPPER GAS LINE AND $\frac{3}{16}$ " x $\frac{1}{4}$ " GAS LINE ADAPTOR

| | | | | | |
|-------|--------------------|--------------------|--------------------|--------------------|--------------------|
| SIZE: | 17" | 19" | 22" | 25" | 27" |
| A: | 19" | 20 $\frac{3}{8}$ " | 23" | 25" | 26 $\frac{5}{8}$ " |
| B: | 11 $\frac{7}{8}$ " | 13 $\frac{5}{8}$ " | 14 $\frac{5}{8}$ " | 15 $\frac{3}{4}$ " | 17 $\frac{7}{8}$ " |
| C: | 11 $\frac{3}{4}$ " | 13 $\frac{1}{2}$ " | 14 $\frac{3}{4}$ " | 16 $\frac{3}{8}$ " | 17 $\frac{7}{8}$ " |
| D: | 1 $\frac{3}{8}$ " | 1 $\frac{7}{8}$ " | 2 $\frac{1}{4}$ " | 2 $\frac{3}{4}$ " | 3 $\frac{1}{2}$ " |
| E: | 8 $\frac{1}{2}$ " | 8 $\frac{5}{8}$ " | 10 $\frac{5}{8}$ " | 12" | 12 $\frac{1}{2}$ " |
| F: | 10 $\frac{1}{2}$ " | 11 $\frac{3}{4}$ " | 12 $\frac{3}{8}$ " | 13" | 14 $\frac{1}{8}$ " |

BEVULO GAS & ELECTRIC LIGHTS

LIGHT: SIX SIDED

BRACKET: STANDARD WALL MOUNT

| | | | | |
|----------|--------|-----------|-----|---|
| DATE: | 8-5-10 | DRW BY: | JJG | COPYRIGHT 2009. BEVULO GAS & ELECTRIC LIGHTS, DRAWINGS & DESIGNS ARE OWNED BY BEVULO AND REMAIN THE SOLE AND EXCLUSIVE PROPERTY OF BEVULO GAS & ELECTRIC LIGHTS. DRAWINGS AND DESIGNS SHALL NOT BE DUPLICATED IN WHOLE OR PART. |
| APP. BY: | MAJ | REVISION: | 2 | |