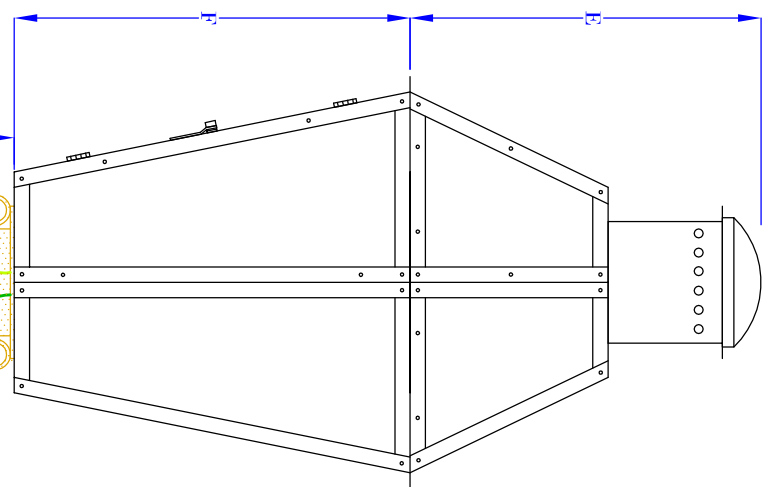
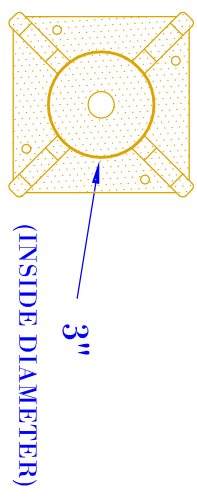


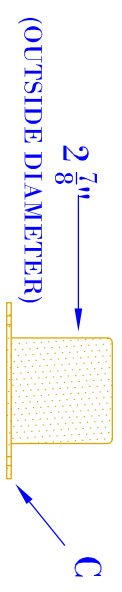
**FRONT VIEW**  
(NTS)



**SIDE VIEW**  
(NTS)



**BOTTOM VIEW-POST MOUNT**  
(NTS- BRACKET ONLY)



**SIDE VIEW-COLUMN MOUNT ADAPTOR**  
(NTS- BRACKET ONLY)

SIZE:	19"	22"	25"	27"
A:	23 <sup>3</sup> / <sub>8</sub> "	26"	28"	29 <sup>5</sup> / <sub>8</sub> "
B:	13 <sup>5</sup> / <sub>8</sub> "	14 <sup>5</sup> / <sub>8</sub> "	15 <sup>3</sup> / <sub>4</sub> "	17 <sup>7</sup> / <sub>8</sub> "
C:	5" x 5"	5" x 5"	5" x 5"	5" x 5"
D:	3"	3"	3"	3"
E:	8 <sup>5</sup> / <sub>8</sub> "	10 <sup>5</sup> / <sub>8</sub> "	12"	12 <sup>1</sup> / <sub>2</sub> "
F:	11 <sup>3</sup> / <sub>4</sub> "	12 <sup>3</sup> / <sub>8</sub> "	13"	14 <sup>1</sup> / <sub>8</sub> "

- NOTES:
1. MOUNTING HARDWARE SUPPLIED BY OTHERS
  2. FIXTURES ARE HANDCRAFTED. DIMENSIONS MAY VARY PLUS OR MINUS <sup>1</sup>/<sub>4</sub>"
  3. ELECTRIC LIGHTS SUPPLIED WITH 18/2 WIRE WITH GROUND
  4. GAS LIGHTS SUPPLIED WITH 4" GAS NIPPLE AND <sup>1</sup>/<sub>8</sub> IP x <sup>1</sup>/<sub>4</sub>" GAS LINE ADAPTOR

# BEVOLLO GAS & ELECTRIC LIGHTS

**LIGHT:** SIX SIDED

**BRACKET:** POST MOUNT & COLUMN MOUNT

DATE: 8-5-2010  
 APP. BY: JMG  
 REVISION: 2

COPYRIGHT 2009, BEVOLLO GAS & ELECTRIC LIGHTS. DRAWINGS & DESIGNS ARE OWNED BY BEVOLLO AND REMAIN THE SOLE AND EXCLUSIVE PROPERTY OF BEVOLLO GAS & ELECTRIC LIGHTS. DRAWINGS AND DESIGNS SHALL NOT BE DUPLICATED IN WHOLE OR PART.