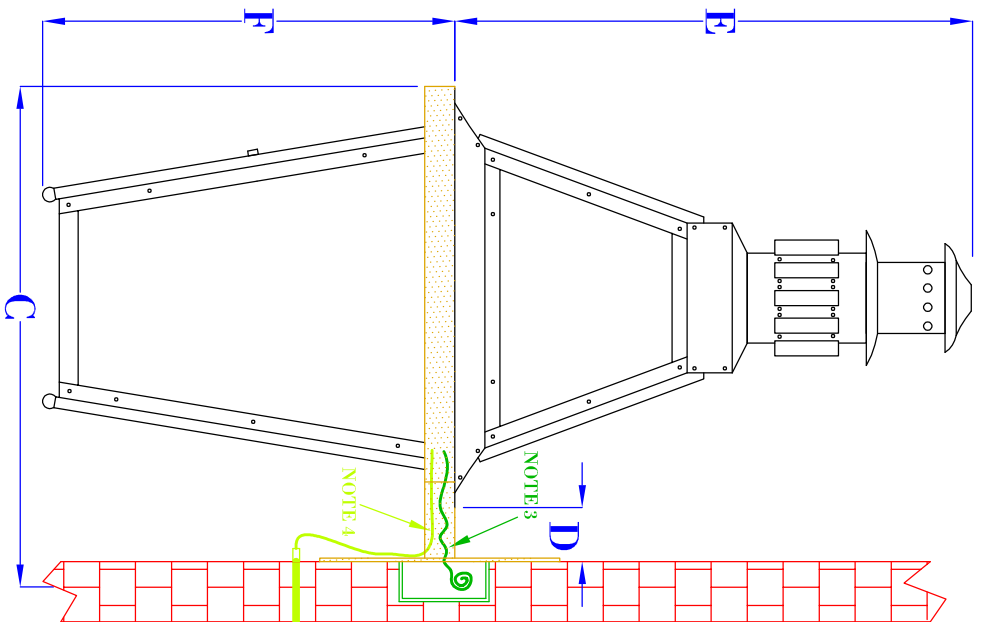
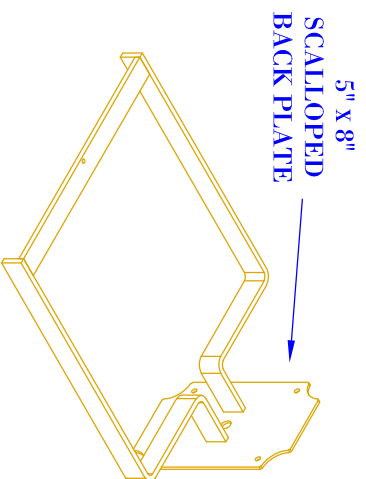


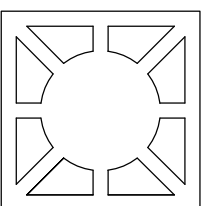
**FRONT VIEW**  
(NTS)



**SIDE VIEW**  
(NTS)



**ISOMETRIC VIEW**  
(NTS-BRACKET ONLY)



**DETAIL**  
ROYAL SONESTA  
BOTTOM

SIZE:	24"	31"	38"	44"
A:	25 <sup>3</sup> / <sub>8</sub> "	30 <sup>5</sup> / <sub>8</sub> "	38"	45"
B:	13 <sup>1</sup> / <sub>8</sub> "	14"	16 <sup>1</sup> / <sub>4</sub> "	23"
C:	15 <sup>5</sup> / <sub>8</sub> "	16 <sup>1</sup> / <sub>2</sub> "	18 <sup>3</sup> / <sub>4</sub> "	25 <sup>1</sup> / <sub>2</sub> "
D:	1 <sup>3</sup> / <sub>8</sub> "	1 <sup>3</sup> / <sub>4</sub> "	1 <sup>3</sup> / <sub>8</sub> "	1 <sup>7</sup> / <sub>8</sub> "
E:	14"	17"	21 <sup>3</sup> / <sub>8</sub> "	25 <sup>1</sup> / <sub>2</sub> "
F:	11 <sup>3</sup> / <sub>8</sub> "	13 <sup>5</sup> / <sub>8</sub> "	16 <sup>5</sup> / <sub>8</sub> "	19 <sup>1</sup> / <sub>2</sub> "

- NOTES:**
1. MOUNTING HARDWARE SUPPLIED BY OTHERS
  2. FIXTURES ARE HANDCRAFTED. DIMENSIONS MAY VARY PLUS OR MINUS <sup>1</sup>/<sub>4</sub>"
  3. ELECTRIC LIGHTS SUPPLIED WITH 18/2 WIRE WITH GROUND
  4. GAS LIGHTS SUPPLIED WITH <sup>3</sup>/<sub>16</sub>" COPPER GAS LINE AND <sup>3</sup>/<sub>16</sub>" x <sup>1</sup>/<sub>4</sub>" GAS LINE ADAPTOR

# BEVOLO GAS & ELECTRIC LIGHTS

**LIGHT:** ROSETTA STANDARD

**BRACKET:** STANDARD WALL MOUNT

DATE: 7-26-19

DRW BY: JIG

APP. BY: JIG

REVISION: 6

COPYRIGHT 2019, BEVOLO GAS & ELECTRIC LIGHTS. DRAWINGS & DESIGNS ARE OWNED BY BEVOLO AND REMAIN THE SOLE AND EXCLUSIVE PROPERTY OF BEVOLO GAS & ELECTRIC LIGHTS. DRAWINGS AND DESIGNS SHALL NOT BE DUPLICATED IN WHOLE OR PART.