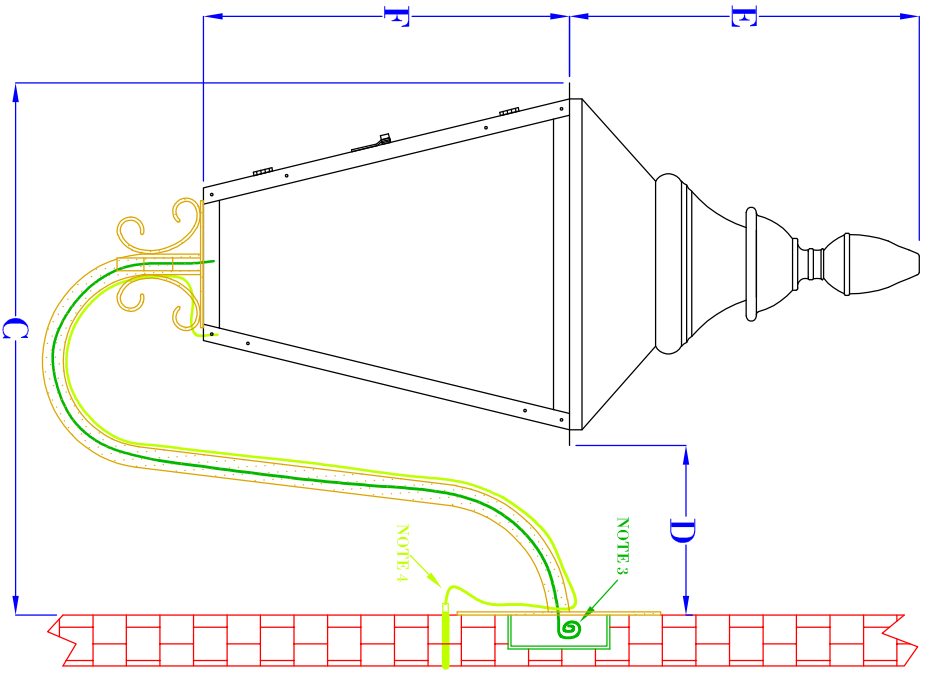
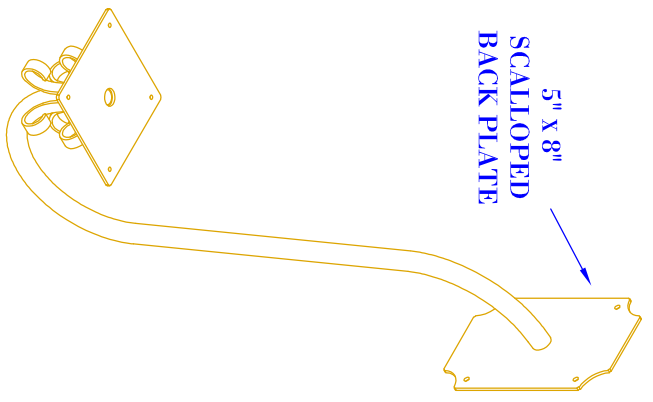


**FRONT VIEW**  
(NTS)



**SIDE VIEW**  
(NTS)



**ISOMETRIC VIEW**  
(NTS-BRACKET ONLY)

- NOTES:**
1. MOUNTING HARDWARE SUPPLIED BY OTHERS
  2. FIXTURES ARE HANDCRAFTED. DIMENSIONS MAY VARY PLUS OR MINUS  $\frac{1}{4}$ "
  3. ELECTRIC LIGHTS SUPPLIED WITH 18/2 WIRE WITH GROUND
  4. GAS LIGHTS SUPPLIED WITH  $\frac{3}{16}$ " COPPER GAS LINE AND  $\frac{3}{16}$ " X  $\frac{1}{4}$ " GAS LINE ADAPTOR

# BEVOLO GAS & ELECTRIC LIGHTS

**LIGHT:**

**LONDON STREET**

**BRACKET:**

**GOOSENECK**

SIZE:	25"	28"	35"
A:	30 $\frac{7}{8}$ "	34 $\frac{1}{2}$ "	41 $\frac{1}{8}$ "
B:	12 $\frac{1}{2}$ "	14 $\frac{1}{2}$ "	17 $\frac{7}{8}$ "
C:	19 $\frac{1}{2}$ "	20 $\frac{7}{8}$ "	23 $\frac{1}{4}$ "
D:	7 $\frac{1}{2}$ "	6 $\frac{5}{8}$ "	5 $\frac{7}{8}$ "
E:	13"	13 $\frac{3}{4}$ "	16 $\frac{3}{4}$ "
F:	11 $\frac{1}{2}$ "	14 $\frac{1}{2}$ "	18"

DATE:	DRW BY:
8-19-19	JJG
APP. BY:	REVISION:
JJG	4

COPYRIGHT 2019, BEVOLO GAS & ELECTRIC LIGHTS. DRAWINGS & DESIGNS ARE OWNED BY BEVOLO AND REMAIN THE SOLE AND EXCLUSIVE PROPERTY OF BEVOLO GAS & ELECTRIC LIGHTS. DRAWINGS AND DESIGNS SHALL NOT BE DUPLICATED IN WHOLE OR PART.