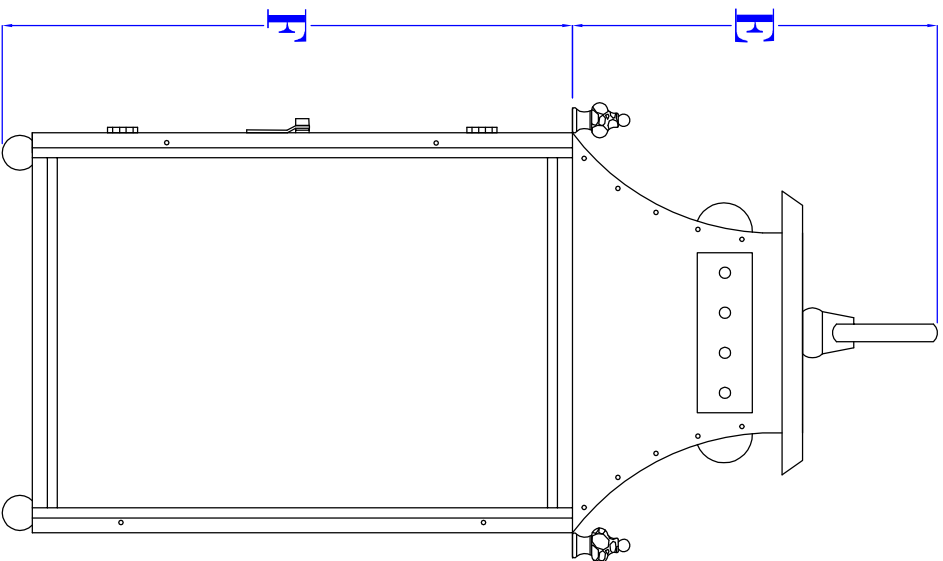


FRONT VIEW



SIDE VIEW

SIZE:	25"
A:	24 ³/₈"
B:	11 ¹/₄"
C:	NA
D:	NA
E:	9 ¹/₈"
F:	14 ¹/₄"

NOTES:
 1. FIXTURES ARE HANDCRAFTED. DIMENSIONS MAY VARY PLUS OR MINUS $\frac{1}{4}$ "

BEVOLO GAS & ELECTRIC LIGHTS

LIGHT:	HIGHLAND PARK POOL HOUSE	DATE:	4-28-16	DRW BY:	JJG	COPYRIGHT 2016, BEVOLO GAS & ELECTRIC LIGHTS. THIS DRAWING AND ANY DESIGN OR DATA CONTAINED THEREIN ARE CONSIDERED PROPERTY OF BEVOLO GAS AND ELECTRIC LIGHTS. NEITHER THE DRAWING NOR ITS CONTENT MAY BE COPIED, REPRODUCED, OR EDITED TO ALIKENESS WITHOUT THE WRITTEN CONSENT OF BEVOLO GAS AND ELECTRIC LIGHTS.
BRACKET:	N/A	APP. BY:		REVISION:	1	