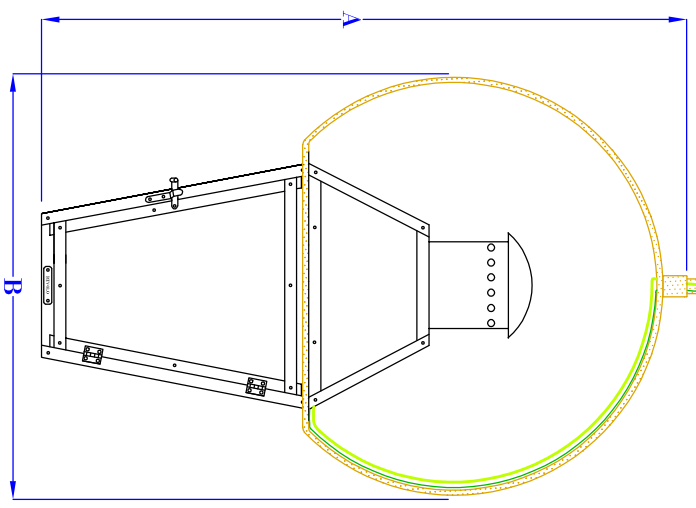


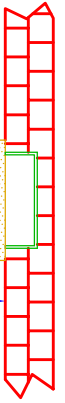


NOTE 3

NOTE 4

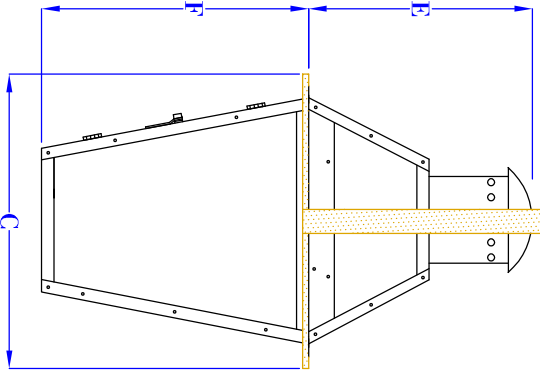


FRONT VIEW  
(NTS)

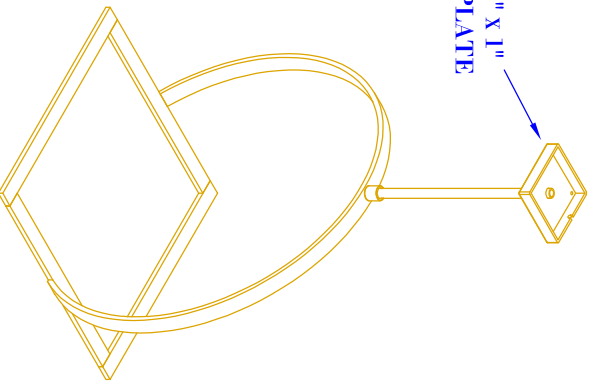


NOTE 3

NOTE 4



SIDE VIEW  
(NTS)



ISOMETRIC VIEW  
(NTS- BRACKET ONLY)

- NOTES:
1. MOUNTING HARDWARE SUPPLIED BY OTHERS
  2. FIXTURES ARE HANDCRAFTED. DIMENSIONS MAY VARY PLUS OR MINUS  $\frac{1}{4}$ "
  3. ELECTRIC LIGHTS SUPPLIED WITH 18/2 WIRE WITH GROUND
  4. GAS LIGHTS SUPPLIED WITH  $\frac{3}{16}$ " COPPER GAS LINE AND  $\frac{3}{16}$ " x  $\frac{1}{4}$ " GAS LINE ADAPTOR

# BEVOLO GAS & ELECTRIC LIGHTS

LIGHT: FRENCH QUARTER

BRACKET: YOKE

SIZE:	14"	18"	21"	24"	27"	30"	30"	36"
A:	20"	24"	26"	30"	33 $\frac{3}{4}$ "	38 $\frac{3}{4}$ "	46 $\frac{3}{4}$ "	
B:	14 $\frac{1}{4}$ "	15 $\frac{7}{8}$ "	17 $\frac{1}{4}$ "	20 $\frac{1}{2}$ "	21 $\frac{7}{8}$ "	25 $\frac{3}{4}$ "	31"	
C:	9 $\frac{7}{8}$ "	11 $\frac{1}{4}$ "	12 $\frac{1}{8}$ "	14 $\frac{3}{8}$ "	15 $\frac{1}{4}$ "	18 $\frac{1}{4}$ "	22 $\frac{1}{4}$ "	
D:	VARIES	VARIES	VARIES	VARIES	VARIES	VARIES	VARIES	
E:	6 $\frac{1}{4}$ "	7 $\frac{5}{8}$ "	9 $\frac{3}{8}$ "	12 $\frac{3}{8}$ "	11 $\frac{7}{8}$ "	14 $\frac{1}{2}$ "	17 $\frac{3}{8}$ "	
F:	8"	10 $\frac{1}{8}$ "	11 $\frac{1}{8}$ "	12 $\frac{7}{8}$ "	14 $\frac{3}{8}$ "	16 $\frac{1}{8}$ "	19 $\frac{5}{8}$ "	

DATE: 4-17-18

APP. BY: JIG

REVISION: 11

DRW BY: JIG

COPYRIGHT 2018, BEVOLO GAS & ELECTRIC LIGHTS. DRAWINGS & DESIGNS ARE OWNED BY BEVOLO AND REMAIN THE SOLE AND EXCLUSIVE PROPERTY OF BEVOLO GAS & ELECTRIC LIGHTS. DRAWINGS AND DESIGNS SHALL NOT BE DUPLICATED IN WHOLE OR PART.