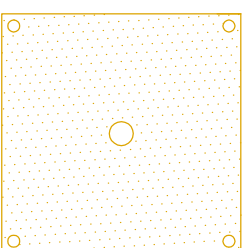
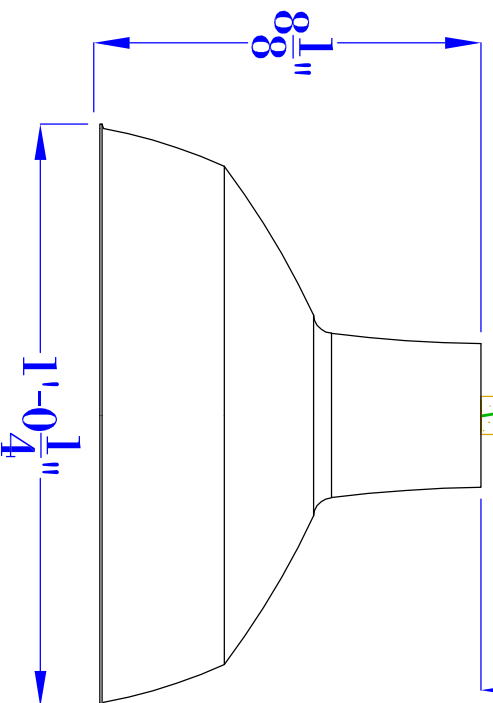


5" X 5" BOXPLATE



TOP VIEW
(NTS)



SIDE VIEW
(NTS)

- NOTES:
1. MOUNTING HARDWARE SUPPLIED BY OTHERS
 2. FIXTURES ARE HANDCRAFTED. DIMENSIONS MAY VARY PLUS OR MINUS $\frac{1}{4}$ "
 3. ELECTRIC LIGHTS SUPPLIED WITH 18/2 WIRE WITH GROUND

BEVOLO GAS & ELECTRIC LIGHTS

LIGHT:	FARMHOUSE
BRACKET:	HANGING STEM

DATE:	9-1-16
DRW BY:	JJG
APP. BY:	
REVISION:	1

COPYRIGHT 2016, BEVOLO GAS & ELECTRIC LIGHTS. THIS DRAWING AND ANY DESIGN OR DATA CONTAINED THEREIN ARE CONSIDERED PROPERTY OF BEVOLO GAS AND ELECTRIC LIGHTS. NEITHER THE DRAWING-NOR ITS CONTENT MAY BE COPIED, REPRODUCED, OR EDITED TO A LIKENESS WITHOUT THE WRITTEN CONSENT OF BEVOLO GAS AND ELECTRIC LIGHTS.