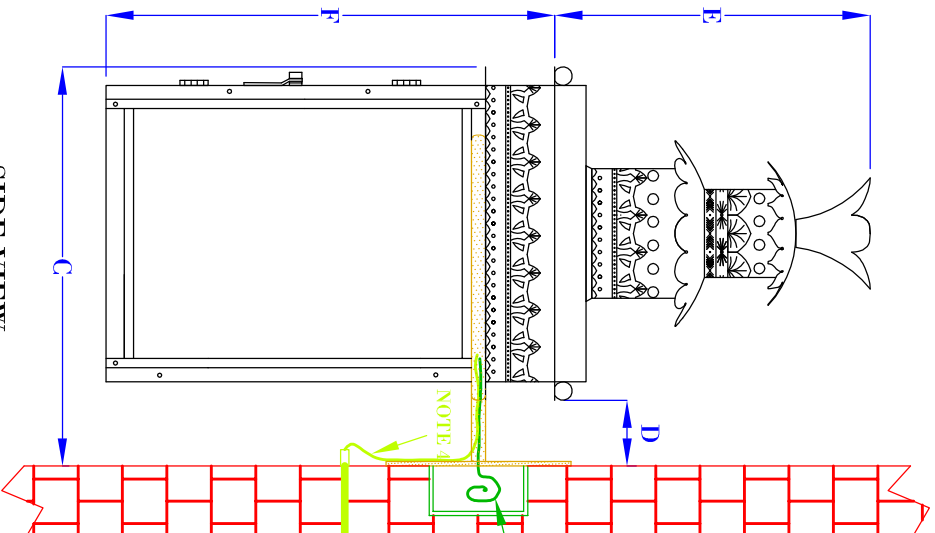
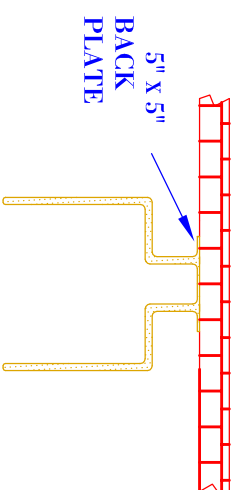


**FRONT VIEW**  
(NTS)



**SIDE VIEW**  
(NTS)



- NOTES:**
1. MOUNTING HARDWARE SUPPLIED BY OTHERS
  2. FIXTURES ARE HANDCRAFTED. DIMENSIONS MAY VARY PLUS OR MINUS  $\frac{1}{4}$ "
  3. ELECTRIC LIGHTS SUPPLIED WITH 18/2 WIRE WITH GROUND
  4. GAS LIGHTS SUPPLIED WITH  $\frac{3}{16}$ " COPPER GAS LINE AND  $\frac{3}{16}$ " X  $\frac{1}{4}$ " GAS LINE ADAPTOR

# BEVOLO GAS & ELECTRIC LIGHTS

**LIGHT:**

**ENGLISH REGENCY**

**BRACKET:**

**BRACKET MOUNT**

SIZE:	20"	24"
A:	21"	24 $\frac{1}{2}$ "
B:	10 $\frac{1}{4}$ "	12 $\frac{1}{8}$ "
C:	11 $\frac{1}{2}$ "	13 $\frac{1}{2}$ "
D:	2 $\frac{1}{2}$ "	2 $\frac{1}{2}$ "
E:	8 $\frac{3}{4}$ "	9 $\frac{3}{4}$ "
F:	12 $\frac{1}{4}$ "	14 $\frac{3}{4}$ "

DATE:	5-13-16	DRW BY:	JJG
APP. BY:	MAJ	REVISION:	2

COPYRIGHT 2009, BEVOLO GAS & ELECTRIC LIGHTS. DRAWINGS & DESIGNS ARE OWNED BY BEVOLO AND REMAIN THE SOLE AND EXCLUSIVE PROPERTY OF BEVOLO GAS & ELECTRIC LIGHTS. DRAWINGS AND DESIGNS SHALL NOT BE DUPLICATED IN WHOLE OR PART.