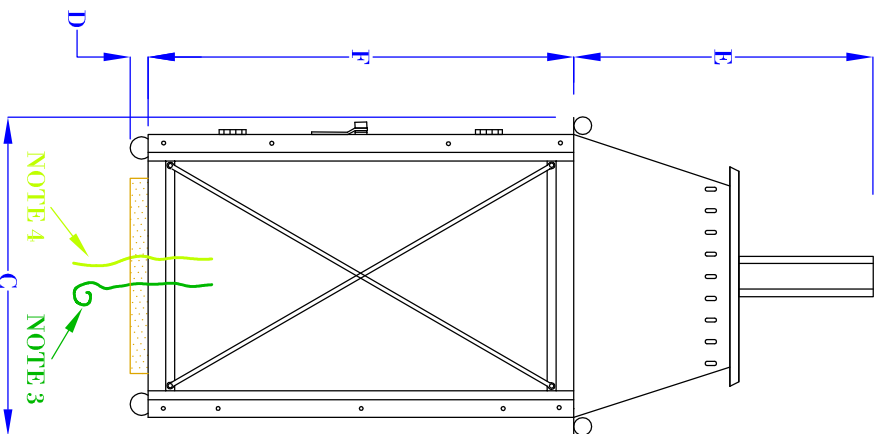


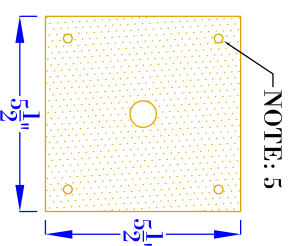
**FRONT VIEW**

(NTS)



**SIDE VIEW**

(NTS)



**TOP VIEW**

(NTS- BRACKET ONLY)

- NOTES:
1. MOUNTING HARDWARE SUPPLIED BY OTHERS
  2. FIXTURES ARE HANDCRAFTED. DIMENSIONS MAY VARY PLUS OR MINUS  $\frac{1}{4}$ "
  3. ELECTRIC LIGHTS SUPPLIED WITH 18/2 WIRE WITH GROUND
  4. GAS LIGHTS SUPPLIED WITH  $\frac{3}{16}$ " COPPER GAS LINE AND  $\frac{3}{16}$ " x  $\frac{1}{4}$ " GAS LINE ADAPTOR
  5. FIXTURE IS SECURED TO COLUMN BY INSTALLING MOUNTING HARDWARE FROM INSIDE OF LIGHT, THROUGH BASE OF FIXTURE AND CORRESPONDING HOLES IN BRACKET.

# BEVOLO GAS & ELECTRIC LIGHTS

**LIGHT:**

**COACH HOUSE**

DATE:

DRW BY:

JJG

COPYRIGHT 2014, BEVOLO GAS & ELECTRIC LIGHTS, DRAWINGS & DESIGNS ARE OWNED BY BEVOLO AND REMAIN THE SOLE AND EXCLUSIVE PROPERTY OF BEVOLO GAS & ELECTRIC LIGHTS. DRAWINGS AND DESIGNS SHALL NOT BE DUPLICATED IN WHOLE OR PART.

**BRACKET:**

**COLUMN MOUNT**

7-15-14

APP. BY:

MAJ

REVISION: 1

SIZE:	14"	16"	18"	22"
A:	18 $\frac{1}{2}$ "	20 $\frac{1}{2}$ "	21 $\frac{1}{2}$ "	26 $\frac{1}{2}$ "
B:	10 $\frac{1}{8}$ "	10 $\frac{1}{8}$ "	8 $\frac{3}{4}$ "	10 $\frac{1}{8}$ "
C:	9 $\frac{1}{8}$ "	9 $\frac{1}{8}$ "	7 $\frac{5}{8}$ "	9 $\frac{1}{8}$ "
D:	1 $\frac{1}{2}$ "	1 $\frac{1}{2}$ "	1 $\frac{1}{2}$ "	1 $\frac{1}{2}$ "
E:	8"	8"	6 $\frac{1}{4}$ "	8"
F:	10 $\frac{1}{8}$ "	12 $\frac{1}{8}$ "	14 $\frac{3}{4}$ "	18 $\frac{1}{8}$ "