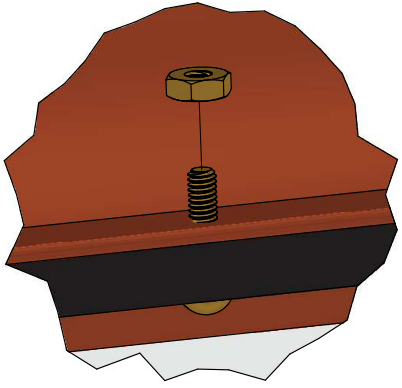
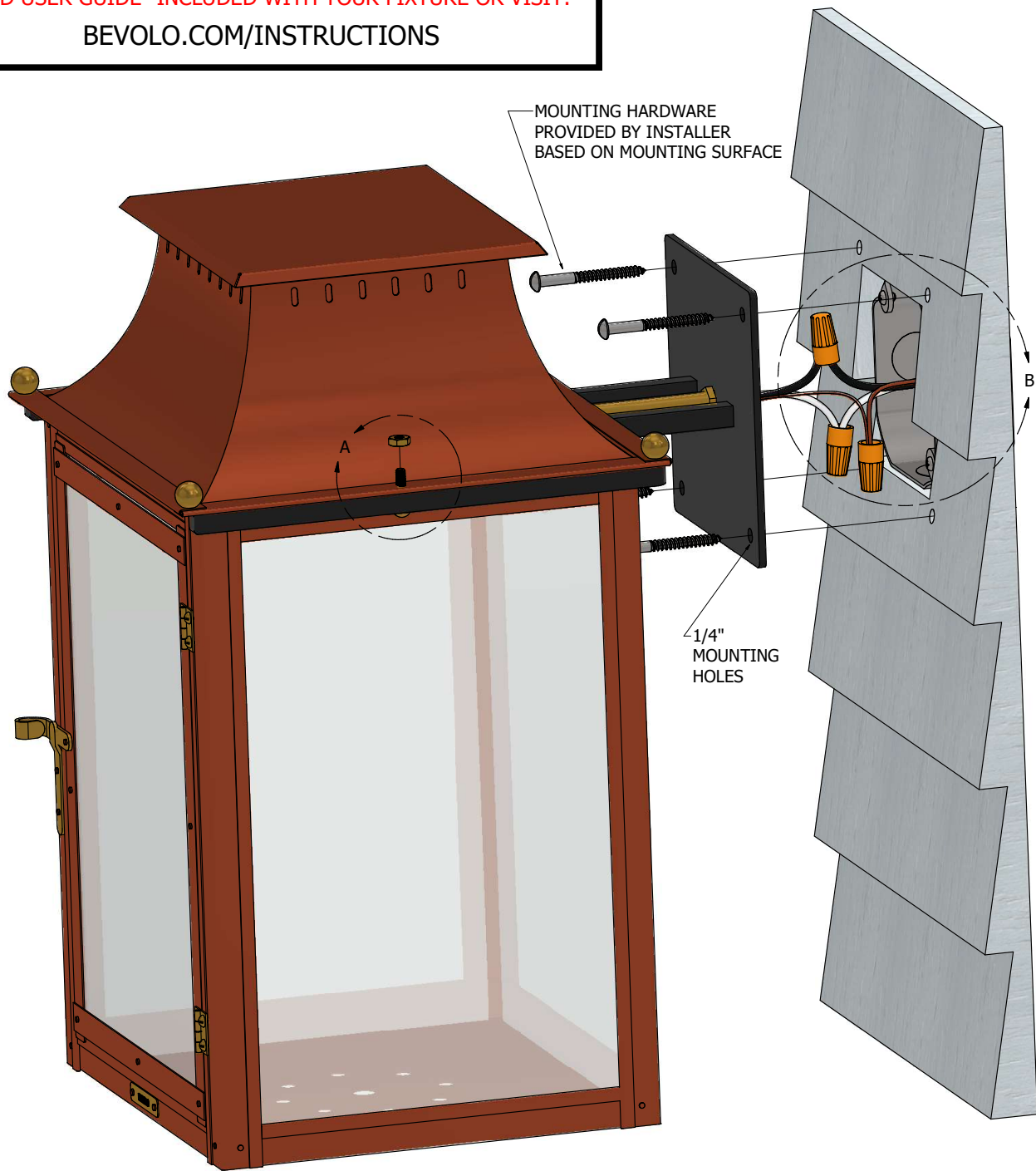
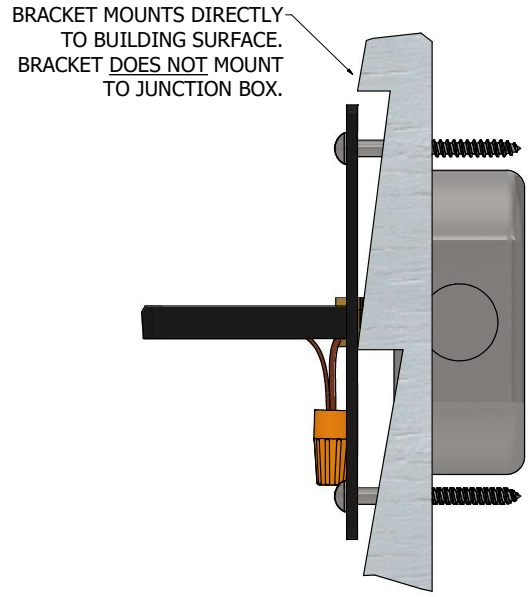


FOR COMPLETE INSTALLATION INSTRUCTIONS AND SAFETY WARNINGS, REFERENCE THE YELLOW "ELECTRIC INSTALLATION AND USER GUIDE" INCLUDED WITH YOUR FIXTURE OR VISIT:  
[BEVOLO.COM/INSTRUCTIONS](http://BEVOLO.COM/INSTRUCTIONS)



DETAIL A

FIXTURE TO BRACKET ATTACHMENT;  
 (1) SCREW ON EACH SIDE



DETAIL B

BRACKET INSTALLED

**BEVOLO GAS & ELECTRIC LIGHTS**  
 WMB/GOV/CH/CX OB INSTALLATION - ELECTRIC  
 COPYRIGHT 2024, BEVOLO GAS & ELECTRIC LIGHTS. THIS DRAWING AND ANY DESIGN OR DATA CONTAINED THEREIN ARE CONSIDERED PROPERTY OF BEVOLO GAS AND ELECTRIC LIGHTS. NEITHER THE DRAWING NOR ITS CONTENT MAY BE COPIED, REPRODUCED, OR EDITED TO A LIKENESS WITHOUT THE WRITTEN CONSENT OF BEVOLO GAS AND ELECTRIC LIGHTS.