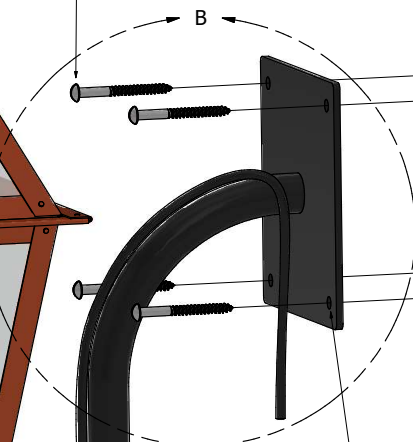


FOR COMPLETE INSTALLATION INSTRUCTIONS AND SAFETY WARNINGS, REFERENCE THE GREEN "GAS INSTALLATION AND USER GUIDE" INCLUDED WITH YOUR FIXTURE OR VISIT: [BEVOLO.COM/INSTRUCTIONS](http://BEVOLO.COM/INSTRUCTIONS)



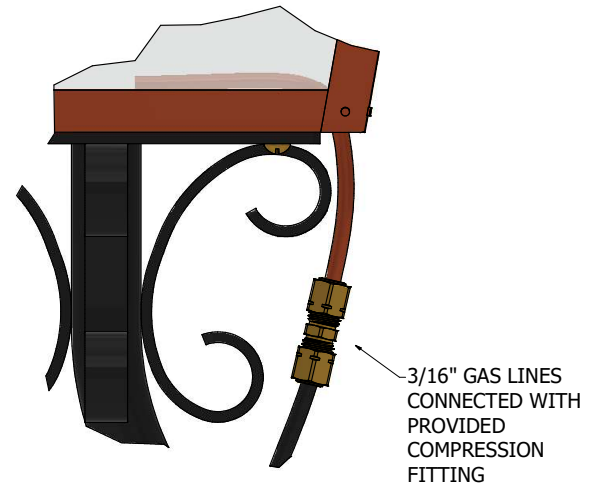
FIXTURE SECURED TO BRACKET BY (4) SCREWS AND NUTS

MOUNTING HARDWARE PROVIDED BY INSTALLER BASED ON MOUNTING SURFACE



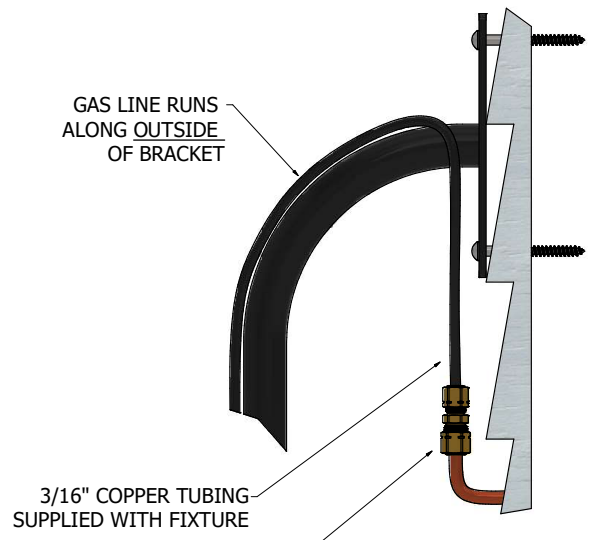
1/4" MOUNTING HOLES

1/4" GAS LINE PROVIDED BY INSTALLER



3/16" GAS LINES CONNECTED WITH PROVIDED COMPRESSION FITTING

DETAIL A  
GAS LINE CONNECTION



GAS LINE RUNS ALONG OUTSIDE OF BRACKET

3/16" COPPER TUBING SUPPLIED WITH FIXTURE

3/16" X 1/4" COMPRESSION FITTING SUPPLIED WITH FIXTURE

DETAIL B  
BRACKET INSTALLED AND GAS LINE CONNECTED

**BEVOLO GAS & ELECTRIC LIGHTS**

**GOOSENECK INSTALLATION - GAS**

COPYRIGHT 2023, BEVOLO GAS & ELECTRIC LIGHTS. THIS DRAWING AND ANY DESIGN OR DATA CONTAINED THEREIN ARE CONSIDERED PROPERTY OF BEVOLO GAS AND ELECTRIC LIGHTS. NEITHER THE DRAWING NOR ITS CONTENT MAY BE COPIED, REPRODUCED, OR EDITED TO A LIKENESS WITHOUT THE WRITTEN CONSENT OF BEVOLO GAS AND ELECTRIC LIGHTS.