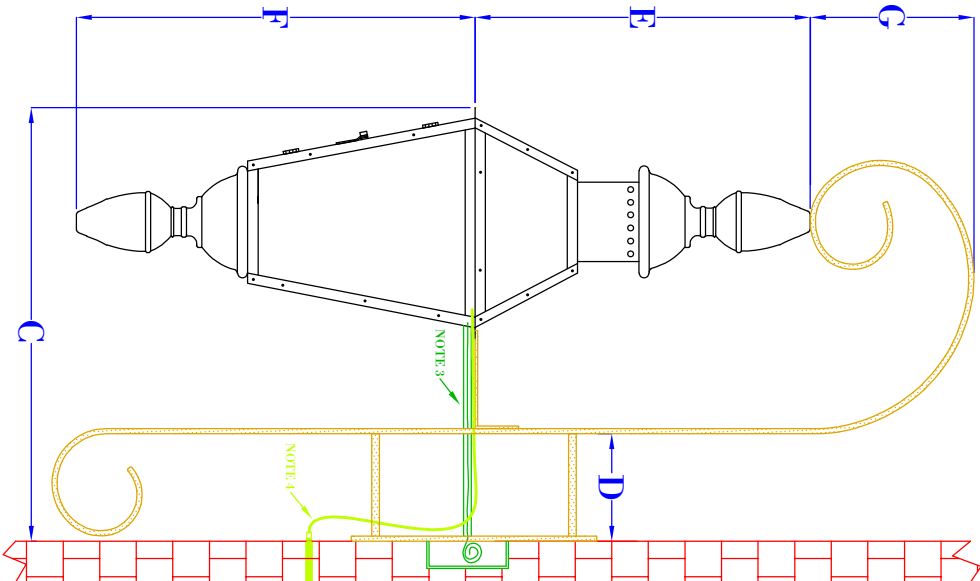
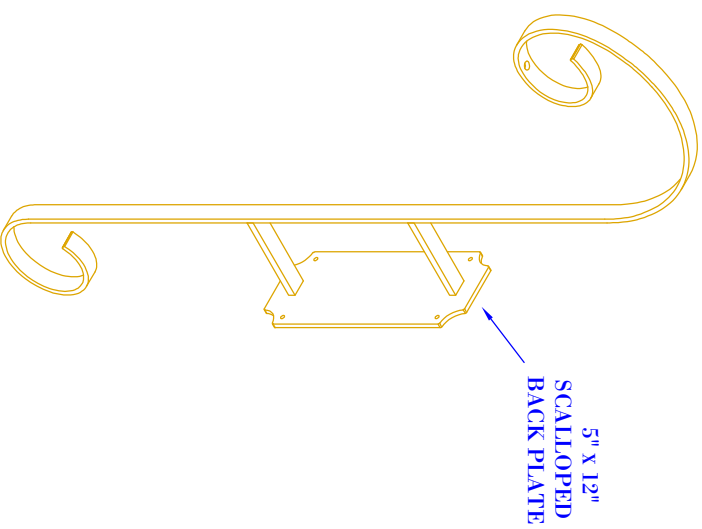


**FRONT VIEW**  
(NTS)



**SIDE VIEW**  
(NTS)



**ISOMETRIC VIEW**  
(NTS-BRACKET ONLY)

- NOTES:
1. MOUNTING HARDWARE SUPPLIED BY OTHERS
  2. FIXTURES ARE HANDCRAFTED. DIMENSIONS MAY VARY PLUS OR MINUS  $\frac{1}{4}$ "
  3. ELECTRIC LIGHTS SUPPLIED WITH 18/2 WIRE WITH GROUND
  4. GAS LIGHTS SUPPLIED WITH  $\frac{3}{16}$ " COPPER GAS LINE AND  $\frac{3}{16}$ " x  $\frac{1}{4}$ " GAS LINE ADAPTOR

# BEVOLO GAS & ELECTRIC LIGHTS

**LIGHT:** FRENCH QUARTER W/ LONDON TOP AND BOTTOM

**BRACKET:** RODIN

<b>SIZE:</b>	32" <small>18"RpQ</small>	37" <small>21"RpQ</small>	41" <small>24"RpQ</small>
<b>A:</b>	37"	45"	49"
<b>B:</b>	10 $\frac{1}{2}$ "	11 $\frac{1}{2}$ "	13 $\frac{1}{4}$ "
<b>C:</b>	19"	19 $\frac{1}{2}$ "	21 $\frac{7}{8}$ "
<b>D:</b>	5"	5"	5"
<b>E:</b>	12 $\frac{7}{8}$ "	15 $\frac{3}{4}$ "	18 $\frac{1}{4}$ "
<b>F:</b>	16 $\frac{3}{4}$ "	19 $\frac{1}{8}$ "	20 $\frac{7}{8}$ "
<b>G:</b>	7"	8"	9 $\frac{1}{2}$ "

**DATE:** 7-17-20  
**APP. BY:** JJG  
**REVISION:** 5

**DRW BY:** JJG  
**EXCLUSIVE PROPERTY OF BEVOLO GAS & ELECTRIC LIGHTS. DRAWINGS AND DESIGNS SHALL NOT BE DUPLICATED IN WHOLE OR PART.**

COPYRIGHT 2020, BEVOLO GAS & ELECTRIC LIGHTS. DRAWINGS & DESIGNS ARE OWNED BY BEVOLO AND REMAIN THE SOLE AND EXCLUSIVE PROPERTY OF BEVOLO GAS & ELECTRIC LIGHTS. DRAWINGS AND DESIGNS SHALL NOT BE DUPLICATED IN WHOLE OR PART.