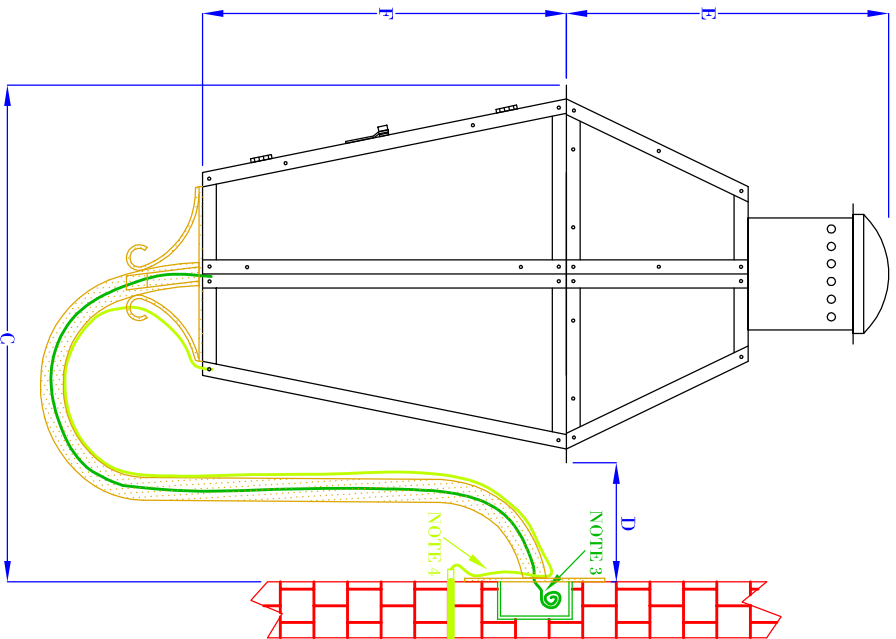
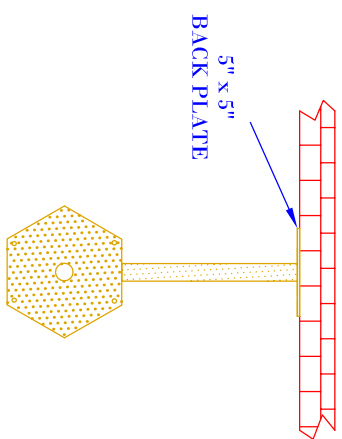


**FRONT VIEW**  
(NTS)



**SIDE VIEW**  
(NTS)



**TOP VIEW**  
(NTS-BRACKET ONLY)

- NOTES:
1. MOUNTING HARDWARE SUPPLIED BY OTHERS
  2. FIXTURES ARE HANDCRAFTED. DIMENSIONS MAY VARY PLUS OR MINUS  $\frac{1}{4}$ "
  3. ELECTRIC LIGHTS SUPPLIED WITH 18/2 WIRE WITH GROUND
  4. GAS LIGHTS SUPPLIED WITH  $\frac{3}{16}$ " COPPER GAS LINE AND  $\frac{3}{4}$ " x  $\frac{1}{4}$ " GAS LINE ADAPTOR

SIZE:	17"	19"	22"	25"	27"
A:	24 $\frac{1}{2}$ "	25 $\frac{7}{8}$ "	28 $\frac{1}{2}$ "	30 $\frac{1}{2}$ "	32 $\frac{1}{8}$ "
B:	11 $\frac{7}{8}$ "	13 $\frac{5}{8}$ "	14 $\frac{5}{8}$ "	15 $\frac{3}{4}$ "	17 $\frac{7}{8}$ "
C:	16 $\frac{7}{8}$ "	17 $\frac{3}{4}$ "	17 $\frac{1}{2}$ "	18 $\frac{1}{4}$ "	19 $\frac{1}{2}$ "
D:	6 $\frac{5}{8}$ "	5 $\frac{3}{4}$ "	4 $\frac{3}{4}$ "	4 $\frac{1}{2}$ "	4 $\frac{1}{4}$ "
E:	8 $\frac{1}{2}$ "	8 $\frac{5}{8}$ "	10 $\frac{5}{8}$ "	12"	12 $\frac{1}{2}$ "
F:	10 $\frac{1}{2}$ "	11 $\frac{3}{4}$ "	12 $\frac{3}{8}$ "	13"	14 $\frac{1}{8}$ "

# BEVULO GAS & ELECTRIC LIGHTS

**LIGHT:**

**SIX SIDED**

**BRACKET:**

**GOOSENECK**

DATE:	8-5-10
APP. BY:	MAJ
REVISION:	2

DRW BY: JJG  
COPYRIGHT 2009, BEVULO GAS & ELECTRIC LIGHTS. DRAWINGS & DESIGNS ARE OWNED BY BEVULO AND REMAIN THE SOLE AND EXCLUSIVE PROPERTY OF BEVULO GAS & ELECTRIC LIGHTS. DRAWINGS AND DESIGNS SHALL NOT BE DUPLICATED IN WHOLE OR PART.