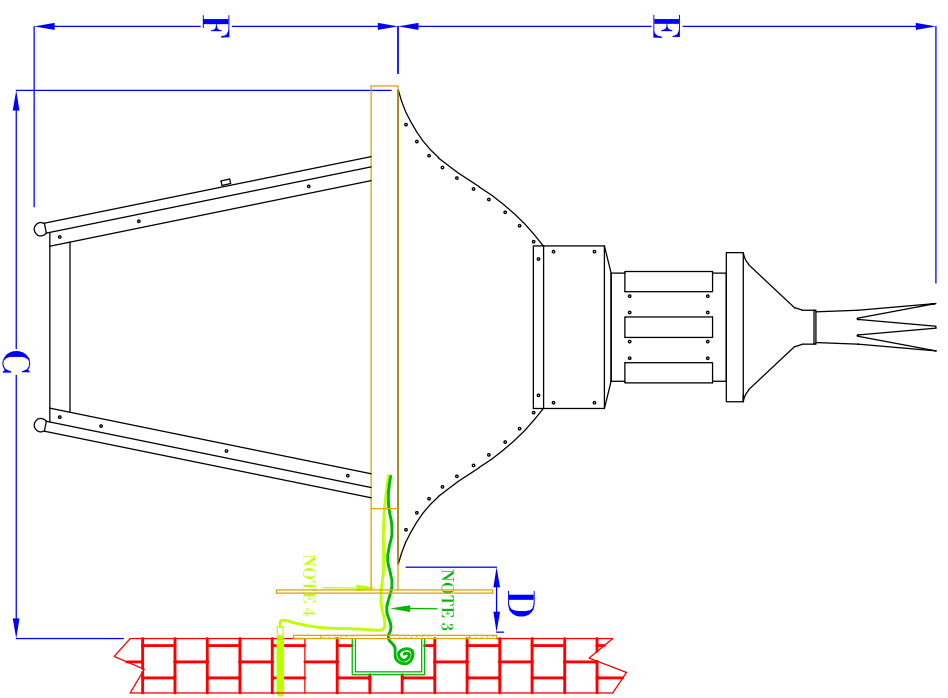
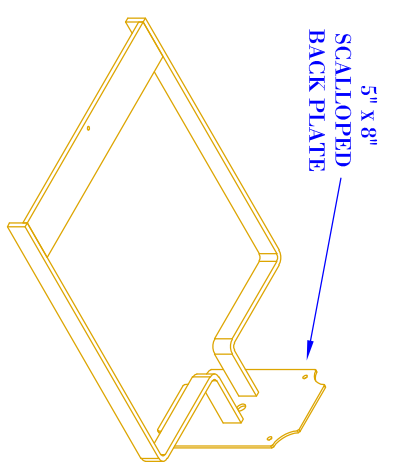


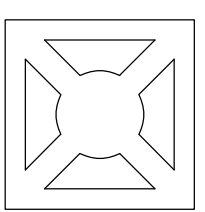
**FRONT VIEW**  
(NTS)



**SIDE VIEW**  
(NTS)



**ISOMETRIC VIEW**  
(NTS-BRACKET ONLY)



**DETAIL**  
NAPOLION  
HOUSE BOTTOM

| SIZE: | 25"                              | 33"                              |
|-------|----------------------------------|----------------------------------|
| A:    | 25 <sup>3</sup> / <sub>4</sub> " | 33 <sup>1</sup> / <sub>4</sub> " |
| B:    | 13 <sup>1</sup> / <sub>4</sub> " | 17 <sup>3</sup> / <sub>4</sub> " |
| C:    | 15 <sup>3</sup> / <sub>4</sub> " | 20 <sup>1</sup> / <sub>4</sub> " |
| D:    | 2 <sup>1</sup> / <sub>2</sub> "  | 2 <sup>1</sup> / <sub>2</sub> "  |
| E:    | 15 <sup>3</sup> / <sub>4</sub> " | 19 <sup>7</sup> / <sub>8</sub> " |
| F:    | 10"                              | 13 <sup>3</sup> / <sub>8</sub> " |

- NOTES:
1. MOUNTING HARDWARE SUPPLIED BY OTHERS
  2. FIXTURES ARE HANDCRAFTED. DIMENSIONS MAY VARY PLUS OR MINUS <sup>1</sup>/<sub>4</sub>"
  3. ELECTRIC LIGHTS SUPPLIED WITH 18/2 WIRE WITH GROUND
  4. GAS LIGHTS SUPPLIED WITH <sup>3</sup>/<sub>16</sub>" COPPER GAS LINE AND <sup>3</sup>/<sub>16</sub>" x <sup>1</sup>/<sub>4</sub>" GAS LINE ADAPTOR

# BEVOLO GAS & ELECTRIC LIGHTS

|                 |                  |
|-----------------|------------------|
| <b>LIGHT:</b>   | NAPOLION HOUSE   |
| <b>BRACKET:</b> | STANDARD BRACKET |

|           |        |
|-----------|--------|
| DATE:     | 7-29-9 |
| DRW BY:   | JJG    |
| APP. BY:  | JJG    |
| REVISION: | 4      |

COPYRIGHT 2019, BEVOLO GAS & ELECTRIC LIGHTS. DRAWINGS & DESIGNS ARE OWNED BY BEVOLO AND REMAIN THE SOLE AND EXCLUSIVE PROPERTY OF BEVOLO GAS & ELECTRIC LIGHTS. DRAWINGS AND DESIGNS SHALL NOT BE DUPLICATED IN WHOLE OR PART.