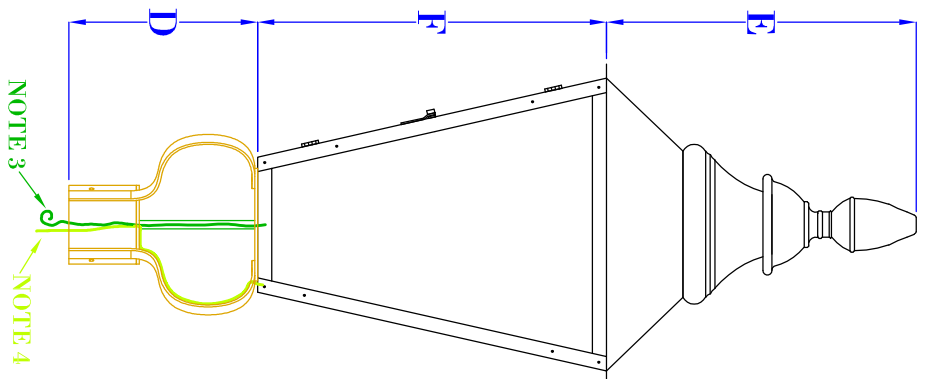
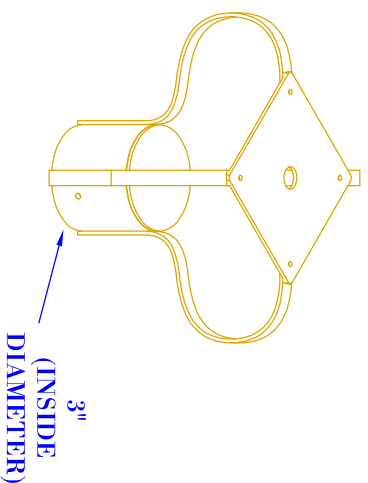


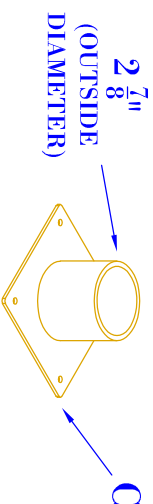
**FRONT VIEW**  
(NTS)



**SIDE VIEW**  
(NTS)



**ISOMETRIC VIEW -  
POST MOUNT**  
(NTS-BRACKET ONLY)



**ISOMETRIC VIEW -  
COLUMN MOUNT ADAPTOR**  
(NTS- BRACKET ONLY)

SIZE:	25"	28"	35"
A:	32 <sup>7</sup> / <sub>8</sub> "	36 <sup>5</sup> / <sub>8</sub> "	43 <sup>1</sup> / <sub>8</sub> "
B:	12 <sup>1</sup> / <sub>2</sub> "	14 <sup>1</sup> / <sub>2</sub> "	17 <sup>7</sup> / <sub>8</sub> "
C:	5"X5"	5"X5"	5"X5"
D:	8 <sup>3</sup> / <sub>8</sub> "	8 <sup>3</sup> / <sub>8</sub> "	8 <sup>3</sup> / <sub>8</sub> "
E:	13"	13 <sup>3</sup> / <sub>4</sub> "	16 <sup>3</sup> / <sub>4</sub> "
F:	11 <sup>1</sup> / <sub>2</sub> "	14 <sup>1</sup> / <sub>2</sub> "	18"

- NOTES:
1. MOUNTING HARDWARE SUPPLIED BY OTHERS
  2. FIXTURES ARE HANDCRAFTED. DIMENSIONS MAY VARY PLUS OR MINUS <sup>1</sup>/<sub>4</sub>"
  3. ELECTRIC LIGHTS SUPPLIED WITH 18/2 WIRE WITH GROUND
  4. GAS LIGHTS SUPPLIED WITH 4" GAS NIPPLE AND <sup>1</sup>/<sub>8</sub> IP X <sup>1</sup>/<sub>4</sub>" GAS LINE ADAPTOR

# BEVOLO GAS & ELECTRIC LIGHTS

**LIGHT:**

LONDON STREET

**BRACKET:**

SPIDER POST MOUNT & COLUMN MOUNT

DRW BY:

JJG

DATE:

APP. BY:

JJG

4-11-19

REVISION:

2

COPYRIGHT 2019, BEVOLO GAS & ELECTRIC LIGHTS. DRAWINGS & DESIGNS ARE OWNED BY BEVOLO AND REMAIN THE SOLE AND EXCLUSIVE PROPERTY OF BEVOLO GAS & ELECTRIC LIGHTS. DRAWINGS AND DESIGNS SHALL NOT BE DUPLICATED IN WHOLE OR PART.