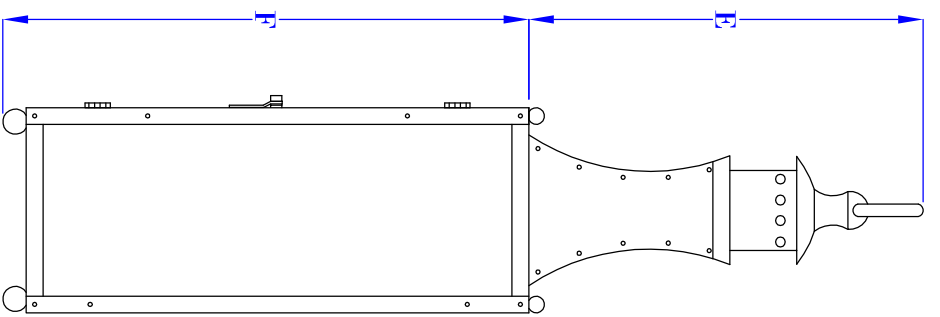


FRONT VIEW
(NTS)



SIDE VIEW
(NTS)

NOTES:
1. FIXTURES ARE HANDCRAFTED. DIMENSIONS MAY VARY PLUS OR MINUS $\frac{1}{4}$ "

BEVOLO GAS & ELECTRIC LIGHTS

LIGHT: GOVERNOR POOL HOUSE LANTERN

BRACKET: N/A

SIZE:	24"	30"	36"
A:	26 $\frac{7}{8}$ "	33 $\frac{7}{8}$ "	41 $\frac{1}{4}$ "
B:	6"	7 $\frac{1}{2}$ "	9"
C:	NA	NA	NA
D:	NA	NA	NA
E:	11 $\frac{3}{8}$ "	14 $\frac{3}{8}$ "	17 $\frac{3}{4}$ "
F:	15 $\frac{1}{2}$ "	19 $\frac{1}{2}$ "	23 $\frac{1}{2}$ "

COPYRIGHT 2011, BEVOLO GAS & ELECTRIC LIGHTS. THIS DRAWING AND ANY DESIGN OR DATA CONTAINED THEREIN ARE CONSIDERED PROPERTY OF BEVOLO GAS AND ELECTRIC LIGHTS. NEITHER THE DRAWING NOR ITS CONTENT MAY BE COPIED, REPRODUCED, OR EDITED TO A LIKENESS WITHOUT THE WRITTEN CONSENT OF BEVOLO GAS AND ELECTRIC LIGHTS.

DATE:	4-30-2012	DRW BY:	JJG
APP. BY:	MAJ	REVISION:	2