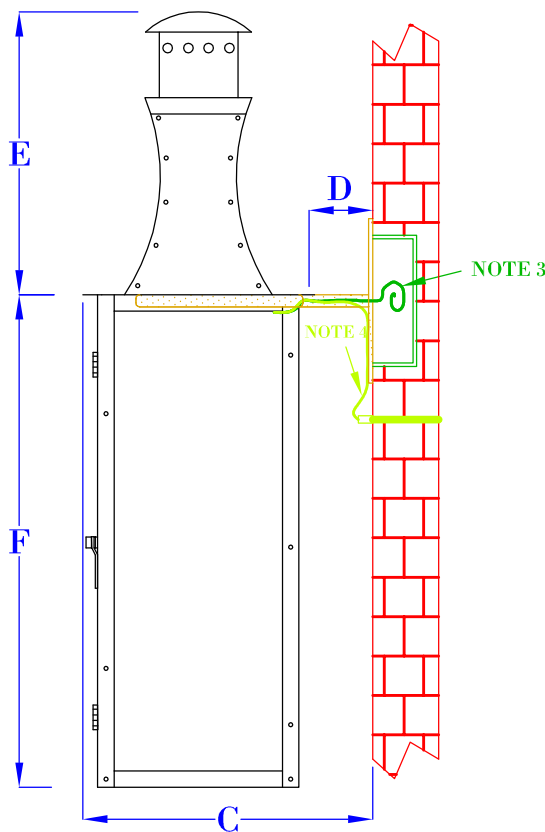
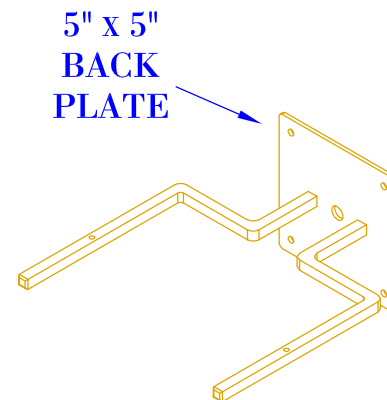


**FRONT VIEW**  
(NTS)



**SIDE VIEW**  
(NTS)



**ISOMETRIC VIEW**  
(NTS-BRACKET ONLY)

**NOTES:**

1. MOUNTING HARDWARE SUPPLIED BY OTHERS
2. FIXTURES ARE HANDCRAFTED. DIMENSIONS MAY VARY PLUS OR MINUS  $\frac{1}{4}$ "
3. ELECTRIC LIGHTS SUPPLIED WITH 18/2 WIRE WITH GROUND
4. GAS LIGHTS SUPPLIED WITH  $\frac{3}{16}$ " COPPER GAS LINE AND  $\frac{3}{16}$ " x  $\frac{1}{4}$ " GAS LINE ADAPTOR

SIZE:	24"	30"	36"
A:	23 $\frac{3}{8}$ "	29 $\frac{1}{2}$ "	36"
B:	7"	8 $\frac{3}{4}$ "	10 $\frac{1}{2}$ "
C:	9 $\frac{1}{2}$ "	11 $\frac{1}{4}$ "	13"
D:	2 $\frac{1}{2}$ "	2 $\frac{1}{2}$ "	2 $\frac{1}{2}$ "
E:	8 $\frac{3}{8}$ "	10 $\frac{3}{4}$ "	13 $\frac{1}{2}$ "
F:	15"	18 $\frac{3}{4}$ "	22 $\frac{1}{2}$ "

# BEVOLO GAS & ELECTRIC LIGHTS

<b>LIGHT:</b>	<b>GOVERNOR</b>	<b>DATE:</b>	<b>APP. BY:</b>	<b>JJG</b>
<b>BRACKET:</b>	<b>BRACKET MOUNT</b>	11-30-17	<b>REVISION:</b>	3

COPYRIGHT 2017, BEVOLO GAS & ELECTRIC LIGHTS. DRAWINGS & DESIGNS ARE OWNED BY BEVOLO AND REMAIN THE SOLE AND EXCLUSIVE PROPERTY OF BEVOLO GAS & ELECTRIC LIGHTS. DRAWINGS AND DESIGNS SHALL NOT BE DUPLICATED IN WHOLE OR PART.