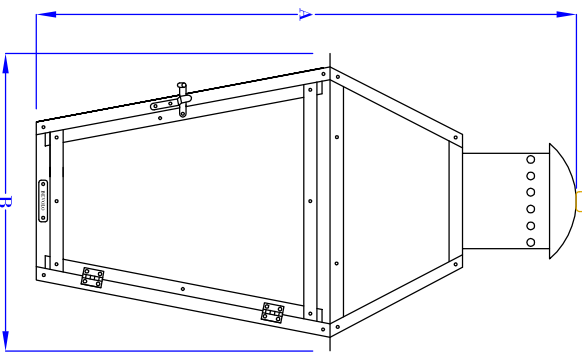
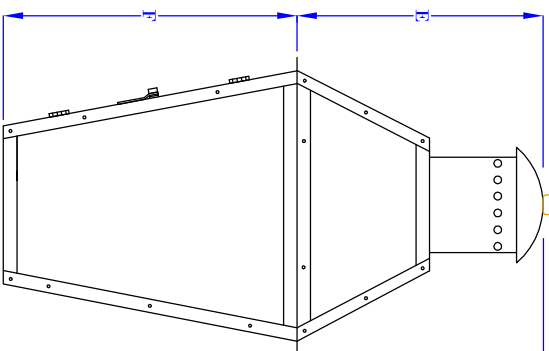


TOP VIEW
(NTS- BRACKET ONLY)



FRONT VIEW
(NTS)



SIDE VIEW
(NTS)

- NOTES:
1. MOUNTING HARDWARE SUPPLIED BY OTHERS
 2. FIXTURES ARE HANDCRAFTED. DIMENSIONS MAY VARY PLUS OR MINUS $\frac{1}{4}$ "
 3. ELECTRIC LIGHTS SUPPLIED WITH 18/2 WIRE WITH GROUND (THIS FIXTURE IS NOT SOLD IN GAS)

SIZE:	14"	18"	21"	24"	27"	30"	36"
A:	14 $\frac{1}{4}$ "	17 $\frac{3}{4}$ "	20 $\frac{1}{2}$ "	25 $\frac{1}{4}$ "	26 $\frac{1}{4}$ "	30 $\frac{5}{8}$ "	37"
B:	9 $\frac{1}{4}$ "	10 $\frac{1}{2}$ "	11 $\frac{1}{2}$ "	13 $\frac{1}{4}$ "	14 $\frac{1}{2}$ "	17 $\frac{1}{2}$ "	21 $\frac{1}{2}$ "
C:	NA	NA	NA	NA	NA	NA	NA
D:	36"	36"	36"	36"	36"	36"	36"
E:	6 $\frac{1}{4}$ "	7 $\frac{5}{8}$ "	9 $\frac{3}{8}$ "	12 $\frac{3}{8}$ "	11 $\frac{7}{8}$ "	14 $\frac{1}{2}$ "	17 $\frac{3}{8}$ "
F:	8"	10 $\frac{1}{8}$ "	11 $\frac{1}{8}$ "	12 $\frac{7}{8}$ "	14 $\frac{3}{8}$ "	16 $\frac{1}{8}$ "	19 $\frac{5}{8}$ "

BEVOLO GAS & ELECTRIC LIGHTS

LIGHT:

FRENCH QUARTER

BRACKET:

HANGING CHAIN ELECTRIC

DRW BY: JJG

DATE: APP. BY: MAJ

9-17-2010 REVISION: 3

COPYRIGHT 2009, BEVOLO GAS & ELECTRIC LIGHTS, DRAWINGS & DESIGNS ARE OWNED BY BEVOLO AND REMAIN THE SOLE AND EXCLUSIVE PROPERTY OF BEVOLO GAS & ELECTRIC LIGHTS. DRAWINGS AND DESIGNS SHALL NOT BE DUPLICATED IN WHOLE OR PART.