

BEVOLO GAS & ELECTRIC LIGHTS

LIGHT:

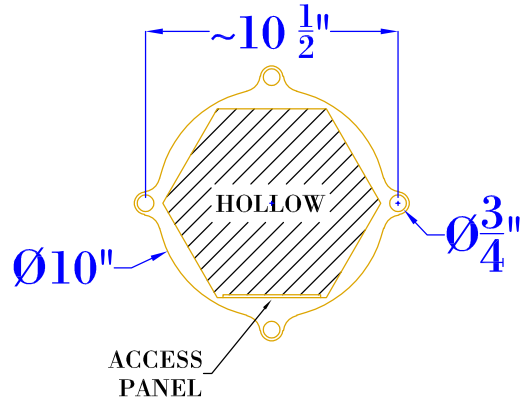
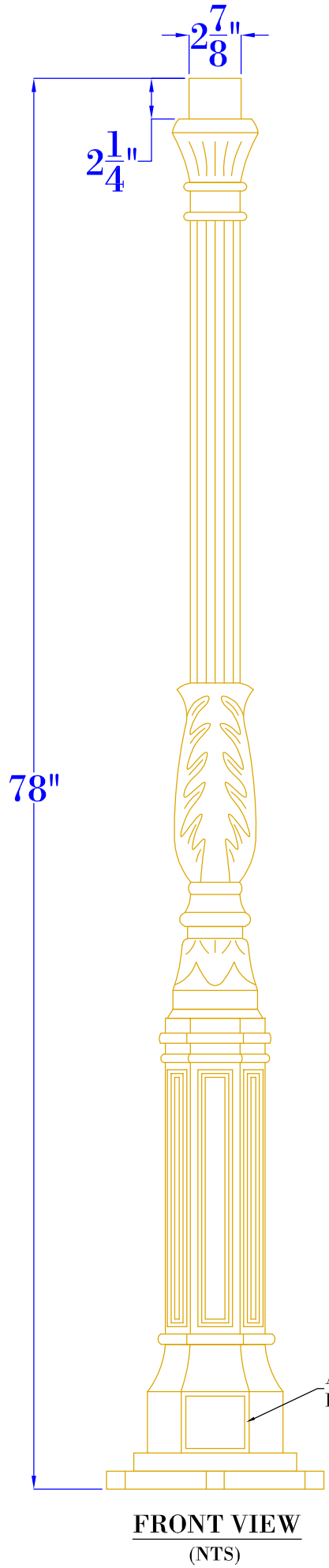
N/A

BRACKET:

HOLLAND POST

DRW BY: JIG
 APP. BY: JIG
 DATE: 3-4-18
 REVISION: 1

COPYRIGHT 2018, BEVOLO GAS & ELECTRIC LIGHTS. THIS DRAWING AND ANY DESIGN OR DATA CONTAINED THEREIN ARE CONSIDERED PROPERTY OF BEVOLO GAS AND ELECTRIC LIGHTS. NEITHER THE DRAWING NOR ITS CONTENT MAY BE COPIED, REPRODUCED, OR EDITED TO A LIKENESS WITHOUT THE WRITTEN CONSENT OF BEVOLO GAS AND ELECTRIC LIGHTS.



BASE DETAIL
(NTS)

NOTE: POSTS ARE CAST. ACTUAL BASE DIMENSIONS AND LOCATIONS OF MOUNTING HOLES WILL VARY SLIGHTLY.