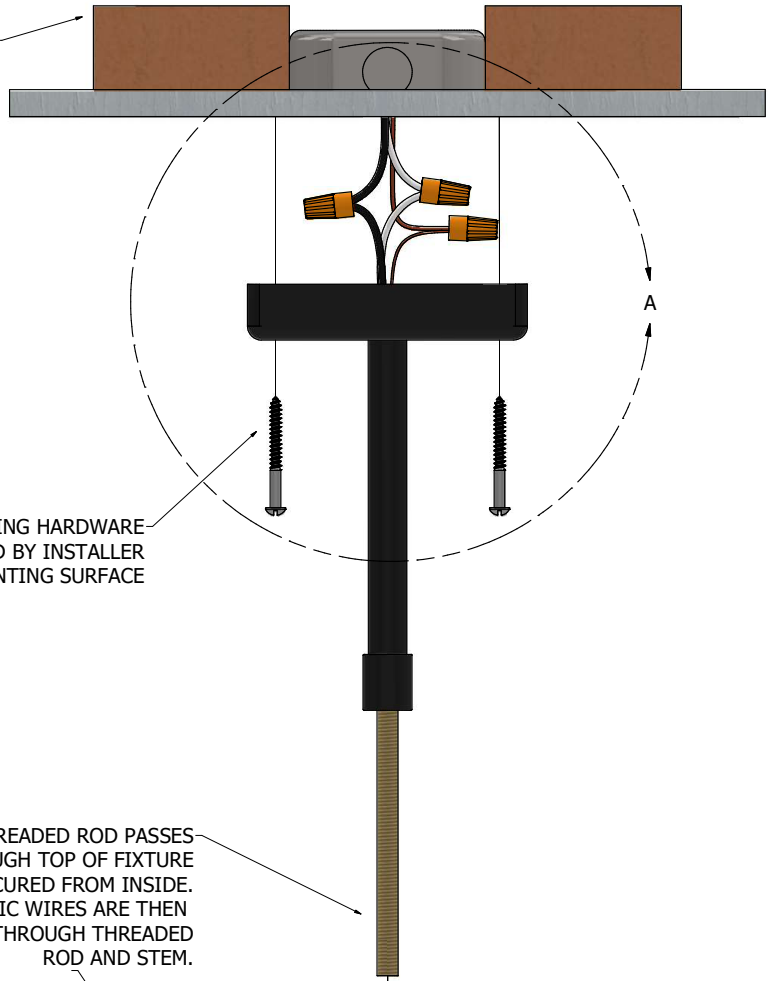
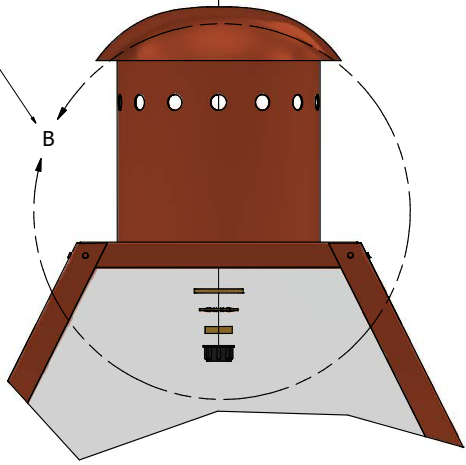


ADDITIONAL SUPPORT  
AT MOUNTING LOCATION  
RECOMMENDED

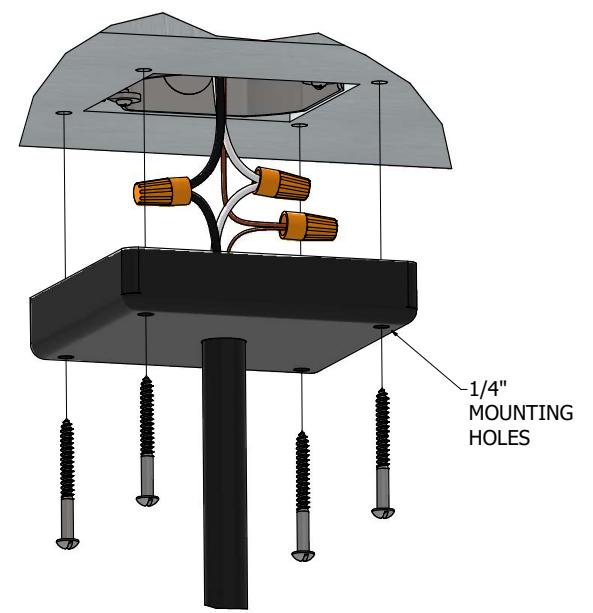


MOUNTING HARDWARE  
PROVIDED BY INSTALLER  
BASED ON MOUNTING SURFACE

THREADED ROD PASSES  
THROUGH TOP OF FIXTURE  
AND IS SECURED FROM INSIDE.  
ELECTRIC WIRES ARE THEN  
INSERTED THROUGH THREADED  
ROD AND STEM.

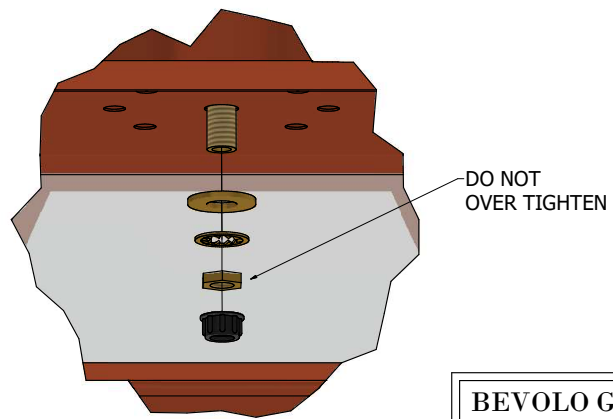


FOR COMPLETE INSTALLATION INSTRUCTIONS AND SAFETY  
WARNINGS, REFERENCE THE YELLOW "ELECTRIC INSTALLATION  
AND USER GUIDE" INCLUDED WITH YOUR FIXTURE OR VISIT:  
[BEVOLO.COM/INSTRUCTIONS](http://BEVOLO.COM/INSTRUCTIONS)



DETAIL A

BRACKET MOUNTS DIRECTLY TO CEILING.  
BRACKET DOES NOT MOUNT TO JUNCTION BOX.



DETAIL B  
(VIEWED FROM INSIDE OF FIXTURE)

THREADED ROD ATTACHMENT

**BEVOLO GAS & ELECTRIC LIGHTS**

**HANGING STEM**

COPYRIGHT 2024, BEVOLO GAS & ELECTRIC LIGHTS. THIS DRAWING AND ANY DESIGN OR DATA CONTAINED THEREIN ARE CONSIDERED PROPERTY OF BEVOLO GAS AND ELECTRIC LIGHTS. NEITHER THE DRAWING NOR ITS CONTENT MAY BE COPIED, REPRODUCED, OR EDITED TO A LIKENESS WITHOUT THE WRITTEN CONSENT OF BEVOLO GAS AND ELECTRIC LIGHTS.