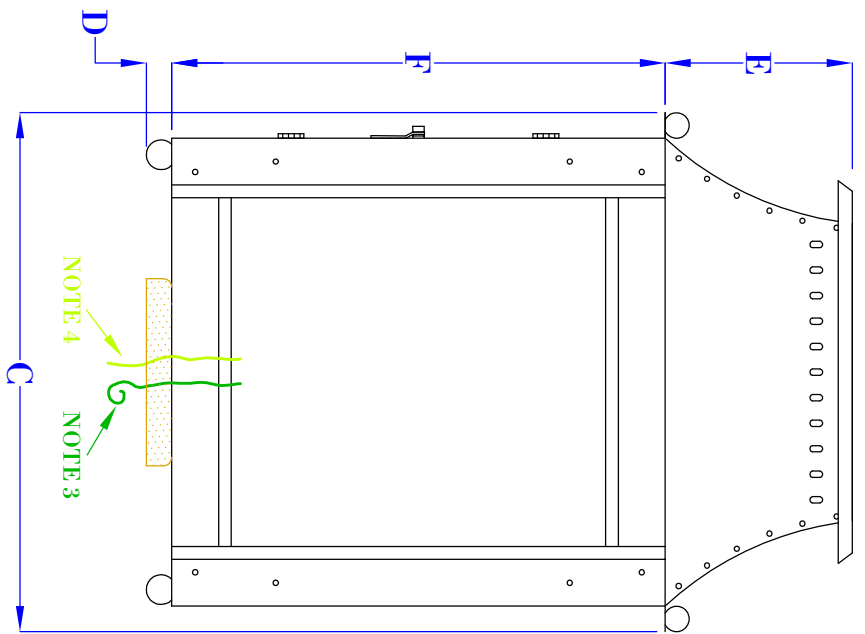


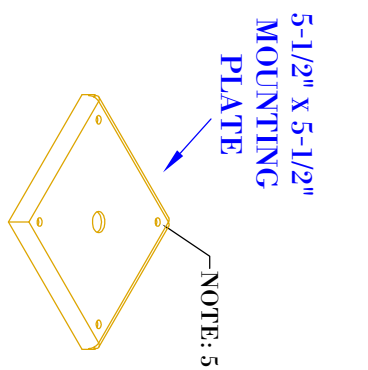
FRONT VIEW

(NTS)



SIDE VIEW

(NTS)



ISOMETRIC VIEW

(NTS-BRACKET ONLY)

- NOTES:**
1. MOUNTING HARDWARE SUPPLIED BY OTHERS
 2. FIXTURES ARE HANDCRAFTED. DIMENSIONS MAY VARY PLUS OR MINUS $\frac{1}{4}$ "
 3. ELECTRIC LIGHTS SUPPLIED WITH 18/2 WIRE WITH GROUND
 4. GAS LIGHTS SUPPLIED WITH $\frac{1}{4}$ " COMPRESSION FITTING. *CAVITY IN COLUMN REQUIRED TO HOUSE CONNECTION FITTINGS
 5. FIXTURE IS SECURED TO COLUMN BY INSTALLING MOUNTING HARDWARE FROM INSIDE OF LIGHT, THROUGH BASE OF FIXTURE AND CORRESPONDING HOLES IN BRACKET.

BEVOLO GAS & ELECTRIC LIGHTS

LIGHT: HEAVY WILLIAMSBURG 16", 20"

BRACKET: LOW PROFILE COLUMN MOUNT

SIZE:	16"	20"
A:	16 $\frac{5}{8}$ "	20 $\frac{3}{4}$ "
B:	11 $\frac{3}{4}$ "	15 $\frac{1}{2}$ "
C:	11 $\frac{3}{4}$ "	15 $\frac{1}{2}$ "
D:	5" $\frac{8}{8}$	3" $\frac{4}{4}$
E:	4"	5 $\frac{1}{2}$ "
F:	12"	14 $\frac{1}{2}$ "

COPYRIGHT 2023, BEVOLO GAS & ELECTRIC LIGHTS. THIS DRAWING AND ANY DESIGN OR DATA CONTAINED THEREIN ARE CONSIDERED PROPERTY OF BEVOLO GAS AND ELECTRIC LIGHTS. NEITHER THE DRAWING NOR ITS CONTENTS MAY BE COPIED, REPRODUCED, OR EDITED TO A LIKENESS WITHOUT THE WRITTEN CONSENT OF BEVOLO GAS AND ELECTRIC LIGHTS.

DATE:	APP. BY:	DRW BY:
5-16-23	JJG	JJG
REVISION:	4	