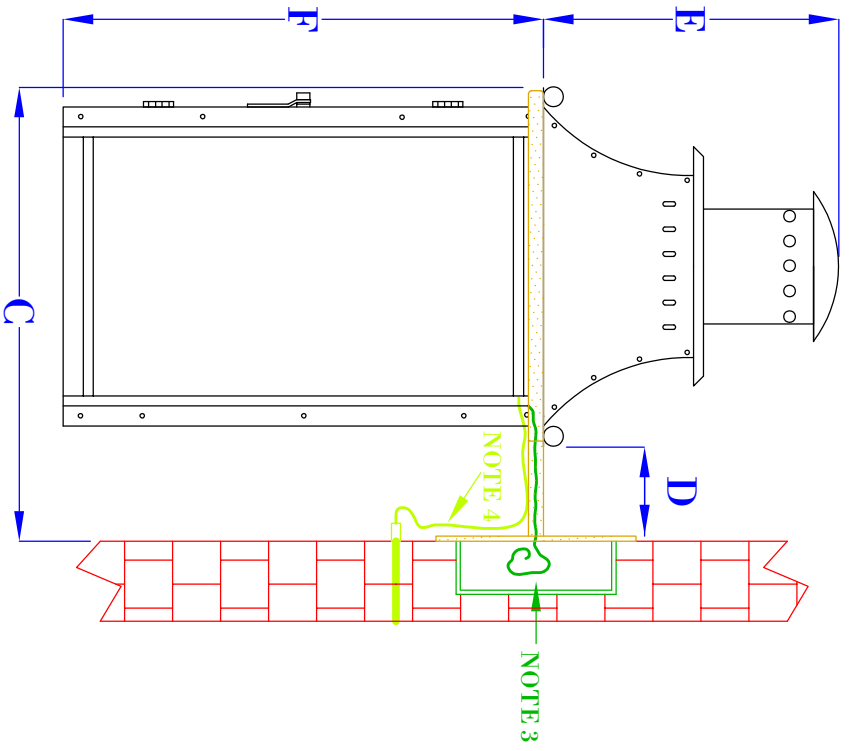
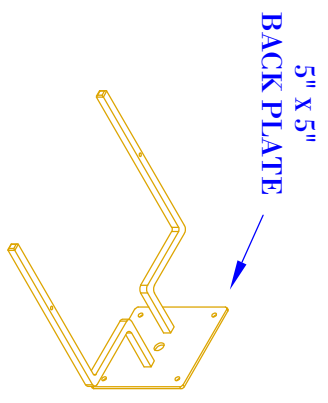


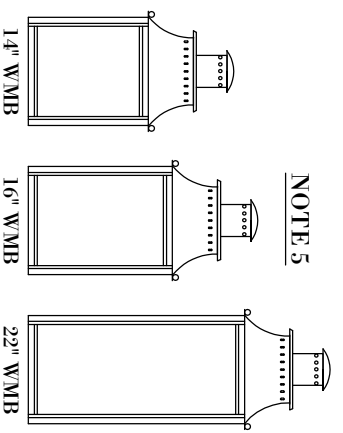
FRONT VIEW
(16" VERSION SHOWN)



SIDE VIEW
(16" VERSION SHOWN)



ISO VIEW
(NTS- BRACKET ONLY)



- NOTES:
1. MOUNTING HARDWARE SUPPLIED BY OTHERS
 2. FIXTURES ARE HANDCRAFTED. DIMENSIONS MAY VARY PLUS OR MINUS $\frac{1}{4}$ "
 3. ELECTRIC LIGHTS SUPPLIED WITH 18/2 WIRE WITH GROUND
 4. GAS LIGHTS SUPPLIED WITH $\frac{3}{16}$ " COPPER GAS LINE AND $\frac{3}{16}$ " x $\frac{1}{4}$ " GAS LINE ADAPTOR
 5. PROPORTIONS FOR EACH SIZE CHANGE. 16" IS REPRESENTED ABOVE, THUMBNAILS TO THE RIGHT SHOW ALL FOR COMPARISON.

BEVOLO GAS & ELECTRIC LIGHTS

LIGHT: WILLIAMSBURG W/ STACK 14", 16", 22"

BRACKET: BRACKET MOUNT

DATE:	DRW BY:	JJG
3-4-22	APP. BY:	JJG
REVISION:		4

SIZE:	14"	16"	22"
A:	17 $\frac{1}{2}$ "	19 $\frac{1}{2}$ "	25 $\frac{1}{2}$ "
B:	10 $\frac{1}{8}$ "	10 $\frac{1}{8}$ "	10 $\frac{1}{8}$ "
C:	11 $\frac{5}{8}$ "	11 $\frac{5}{8}$ "	11 $\frac{5}{8}$ "
D:	2 $\frac{1}{2}$ "	2 $\frac{1}{2}$ "	2 $\frac{1}{2}$ "
E:	7 $\frac{3}{8}$ "	7 $\frac{3}{8}$ "	7 $\frac{3}{8}$ "
F:	10 $\frac{1}{8}$ "	12 $\frac{1}{8}$ "	18 $\frac{1}{8}$ "

COPYRIGHT 2022. BEVOLO GAS & ELECTRIC LIGHTS. DRAWINGS & DESIGNS ARE OWNED BY BEVOLO AND REMAIN THE SOLE AND EXCLUSIVE PROPERTY OF BEVOLO GAS & ELECTRIC LIGHTS. DRAWINGS AND DESIGNS SHALL NOT BE DUPLICATED IN WHOLE OR PART.