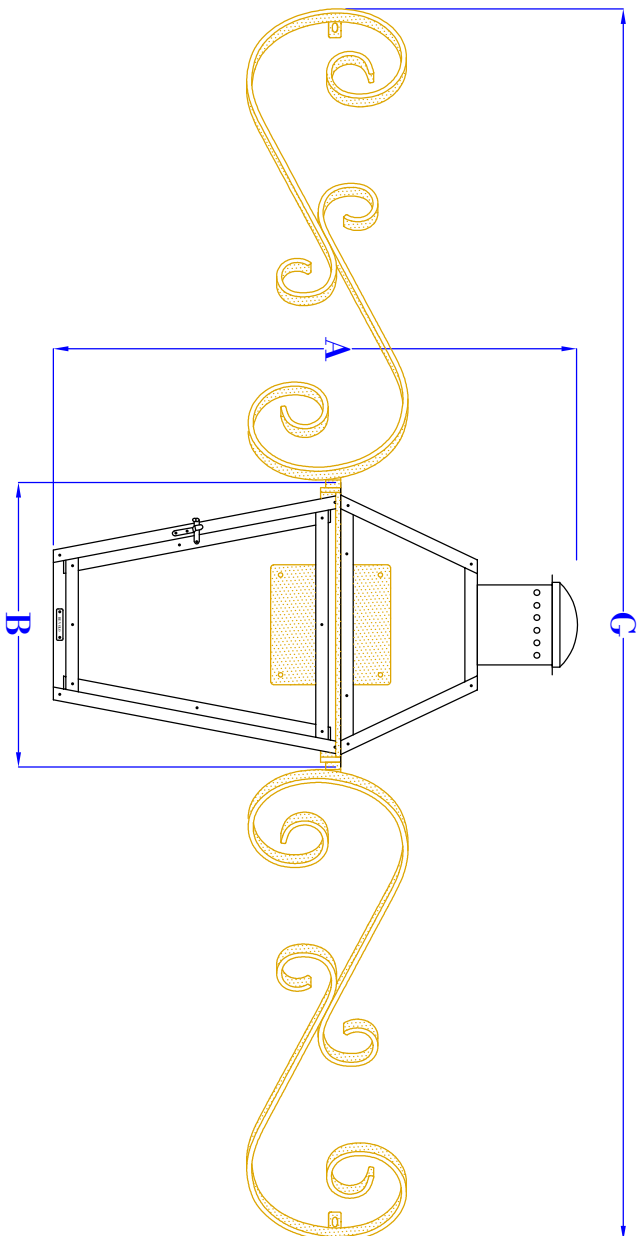
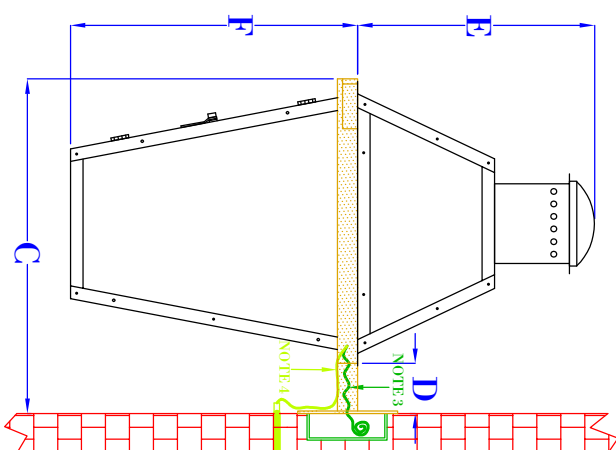


TOP VIEW
(NTS)



FRONT VIEW
(NTS)



SIDE VIEW
(NTS)

(SHOWN WITHOUT BRACKET ARMS ATTACHED)

- NOTES:
1. MOUNTING HARDWARE SUPPLIED BY OTHERS
 2. FIXTURES ARE HANDCRAFTED. DIMENSIONS MAY VARY PLUS OR MINUS $\frac{1}{4}$ "
 3. ELECTRIC LIGHTS SUPPLIED WITH 18/2 WIRE WITH GROUND
 4. GAS LIGHTS SUPPLIED WITH $\frac{3}{16}$ " COPPER GAS LINE AND $\frac{3}{16}$ " x $\frac{1}{4}$ " GAS LINE ADAPTOR

SIZE:	18"	21"	24"	27"
A:	17 $\frac{3}{4}$ "	20 $\frac{1}{2}$ "	25 $\frac{1}{4}$ "	26 $\frac{1}{4}$ "
B:	10 $\frac{1}{2}$ "	11 $\frac{1}{2}$ "	13 $\frac{1}{4}$ "	14 $\frac{1}{2}$ "
C:	13"	14"	15 $\frac{3}{4}$ "	17"
D:	2 $\frac{1}{2}$ "	2 $\frac{1}{2}$ "	2 $\frac{1}{2}$ "	2 $\frac{1}{2}$ "
E:	7 $\frac{5}{8}$ "	9 $\frac{3}{8}$ "	12 $\frac{3}{8}$ "	11 $\frac{7}{8}$ "
F:	10 $\frac{1}{8}$ "	11 $\frac{1}{8}$ "	12 $\frac{7}{8}$ "	14 $\frac{3}{8}$ "
G:	45"	53 $\frac{1}{4}$ "	58 $\frac{1}{2}$ "	62 $\frac{1}{4}$ "

BEVOLO GAS & ELECTRIC LIGHTS

LIGHT: FRENCH QUARTER

BRACKET: REVERSE SCROLL MUSTACHE

DATE:	APP. BY:	DRW BY:
5-10-21	JJG	JJG
REVISION:		
1		

COPYRIGHT 2021, BEVOLO GAS & ELECTRIC LIGHTS. DRAWINGS & DESIGNS ARE OWNED BY BEVOLO AND REMAIN THE SOLE AND EXCLUSIVE PROPERTY OF BEVOLO GAS & ELECTRIC LIGHTS. DRAWINGS AND DESIGNS SHALL NOT BE DUPLICATED IN WHOLE OR PART.