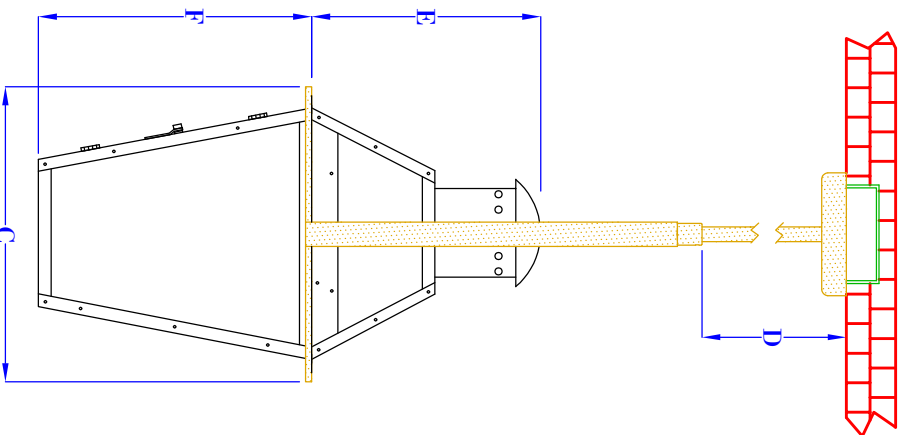
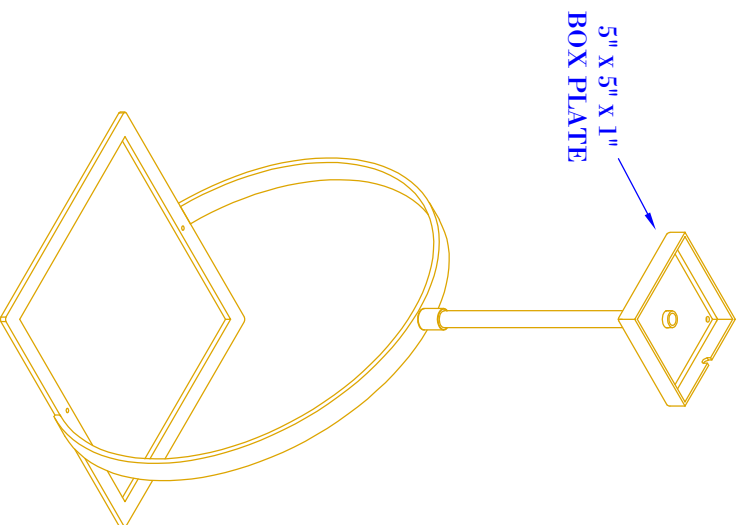


**FRONT VIEW**  
(NTS)



**SIDE VIEW**  
(NTS)



**ISOMETRIC VIEW**  
(NTS- BRACKET ONLY)

- NOTES:**
1. MOUNTING HARDWARE SUPPLIED BY OTHERS
  2. FIXTURES ARE HANDCRAFTED. DIMENSIONS MAY VARY PLUS OR MINUS  $\frac{1}{4}$ "
  3. ELECTRIC LIGHTS SUPPLIED WITH 18/2 WIRE WITH GROUND
  4. GAS LIGHTS SUPPLIED WITH  $\frac{3}{16}$ " COPPER GAS LINE AND  $\frac{3}{16}$ " x  $\frac{1}{4}$ " GAS LINE ADAPTOR

# BEVOLO GAS & ELECTRIC LIGHTS

**LIGHT:**

**FRENCH QUARTER**

**BRACKET:**

**YOKE**

<b>SIZE:</b>	14"	18"	21"	24"	27"	30"	30"	36"
<b>A:</b>	20"	24"	26"	30"	33 $\frac{3}{4}$ "	38 $\frac{3}{4}$ "	46 $\frac{3}{4}$ "	
<b>B:</b>	14 $\frac{1}{4}$ "	15 $\frac{7}{8}$ "	17 $\frac{1}{4}$ "	20 $\frac{1}{2}$ "	21 $\frac{7}{8}$ "	25 $\frac{7}{8}$ "	31"	
<b>C:</b>	9 $\frac{7}{8}$ "	11 $\frac{1}{4}$ "	12 $\frac{1}{8}$ "	14 $\frac{3}{8}$ "	15 $\frac{1}{4}$ "	18 $\frac{1}{4}$ "	22 $\frac{1}{4}$ "	
<b>D:</b>	VARIES	VARIES	VARIES	VARIES	VARIES	VARIES	VARIES	
<b>E:</b>	6 $\frac{1}{4}$ "	7 $\frac{5}{8}$ "	9 $\frac{3}{8}$ "	12 $\frac{3}{8}$ "	11 $\frac{7}{8}$ "	14 $\frac{1}{2}$ "	17 $\frac{3}{8}$ "	
<b>F:</b>	8"	10 $\frac{1}{8}$ "	11 $\frac{1}{8}$ "	12 $\frac{7}{8}$ "	14 $\frac{3}{8}$ "	16 $\frac{1}{8}$ "	19 $\frac{5}{8}$ "	

<b>DATE:</b>	<b>APP. BY:</b>	<b>JJG</b>	<b>DRW BY:</b>	<b>JJG</b>
3-25-21	REVISION:	12	COPYRIGHT 2021, BEVOLO GAS & ELECTRIC LIGHTS. DRAWINGS & DESIGNS ARE OWNED BY BEVOLO AND REMAIN THE SOLE AND EXCLUSIVE PROPERTY OF BEVOLO GAS & ELECTRIC LIGHTS. DRAWINGS AND DESIGNS SHALL NOT BE DUPLICATED IN WHOLE OR PART.	