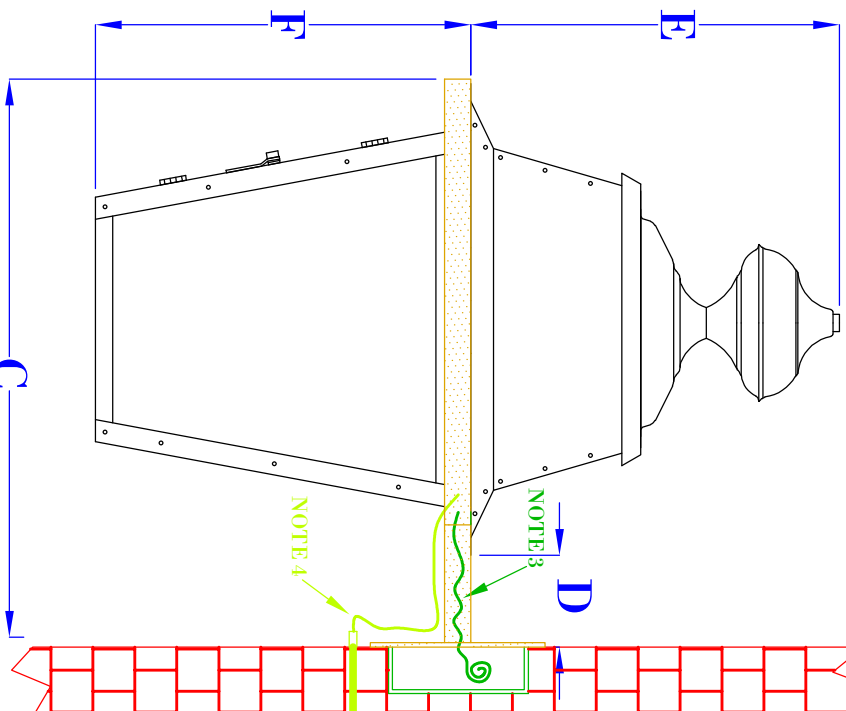
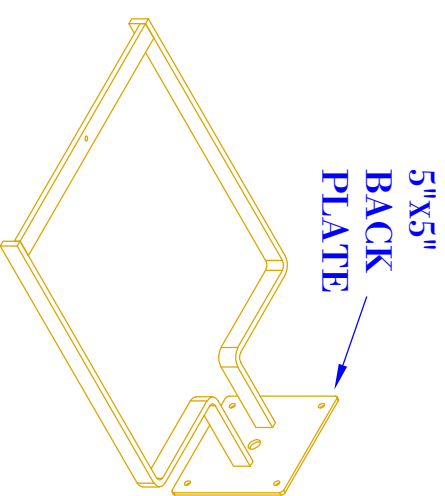


**FRONT VIEW**  
(NTS)



**SIDE VIEW**  
(NTS)



**ISOMETRIC VIEW**  
(NTS-BRACKET ONLY)

- NOTES:
1. MOUNTING HARDWARE SUPPLIED BY OTHERS
  2. FIXTURES ARE HANDCRAFTED. DIMENSIONS MAY VARY PLUS OR MINUS  $\frac{1}{4}$ "
  3. ELECTRIC LIGHTS SUPPLIED WITH 18/2 WIRE WITH GROUND
  4. GAS LIGHTS SUPPLIED WITH  $\frac{3}{16}$ " COPPER GAS LINE AND  $\frac{3}{4}$ " x  $\frac{1}{4}$ " GAS LINE ADAPTOR

# BEVOLO GAS & ELECTRIC LIGHTS

**LIGHT:**

MARTINIQUE

**BRACKET:**

FRENCH QUARTER

DATE:

8-7-20

APP. BY:

REVISION:

JJG

2

SIZE:	19"
A:	21 $\frac{1}{4}$ "
B:	13 $\frac{1}{2}$ "
C:	16"
D:	2 $\frac{3}{8}$ "
E:	10 $\frac{1}{2}$ "
F:	10 $\frac{3}{4}$ "

COPYRIGHT 2020, BEVOLO GAS & ELECTRIC LIGHTS. DRAWINGS & DESIGNS ARE OWNED BY BEVOLO AND REMAIN THE SOLE AND EXCLUSIVE PROPERTY OF BEVOLO GAS & ELECTRIC LIGHTS. DRAWINGS AND DESIGNS SHALL NOT BE DUPLICATED IN WHOLE OR PART.